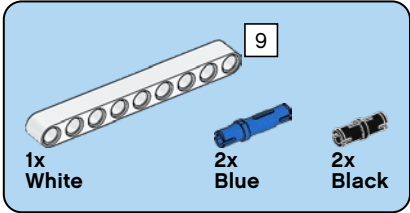
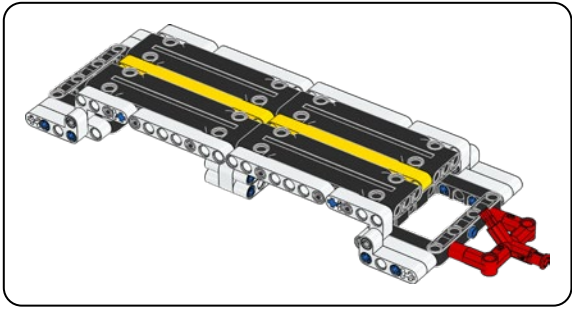
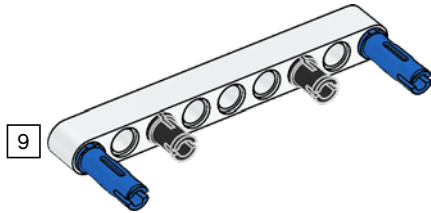


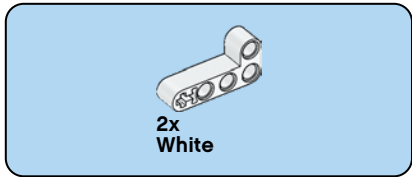
45816



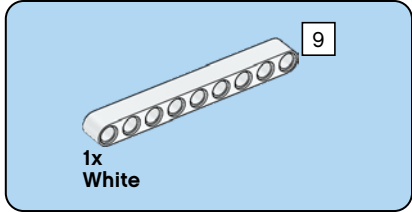
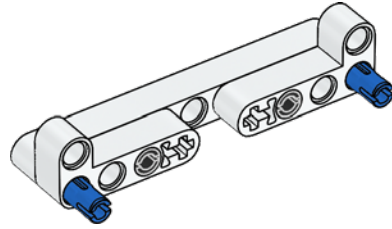


1

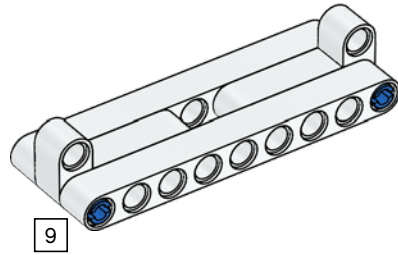


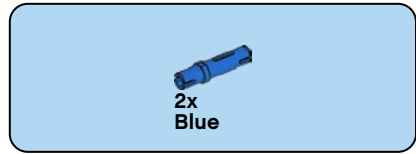


2

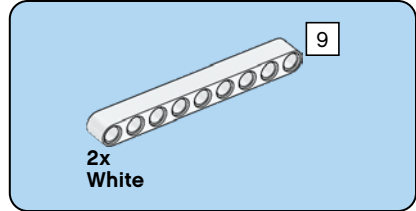
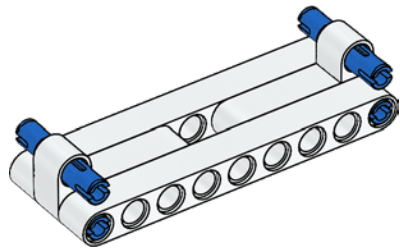


3

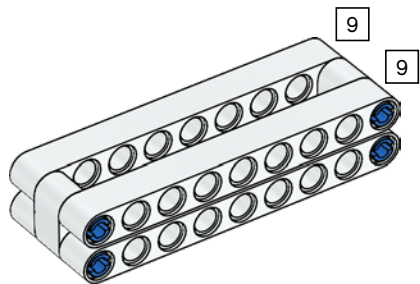


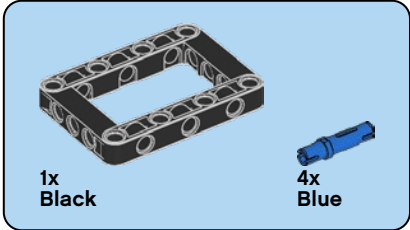
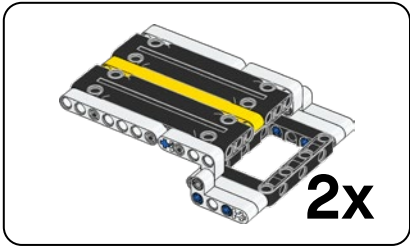


4

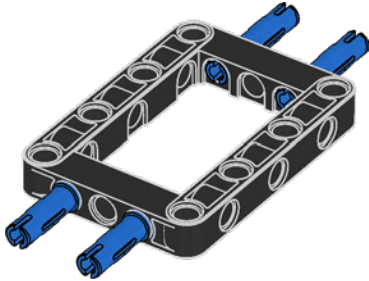


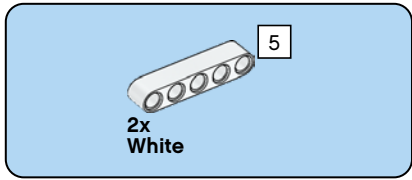
5



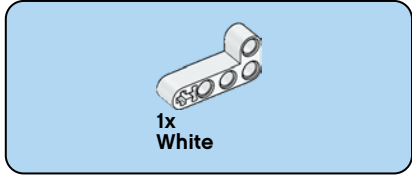
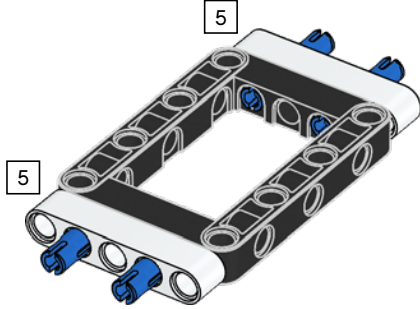


6

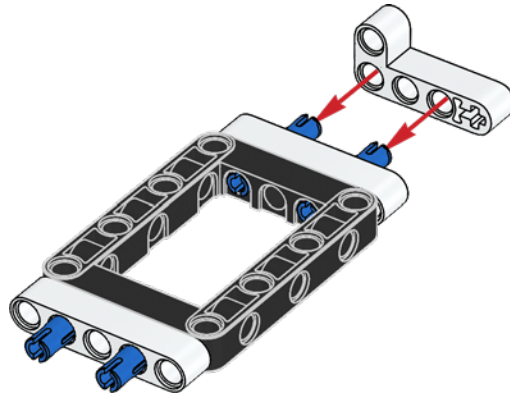


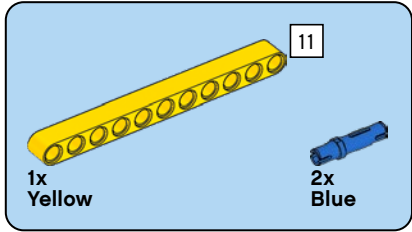
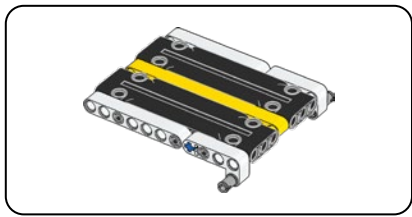


7

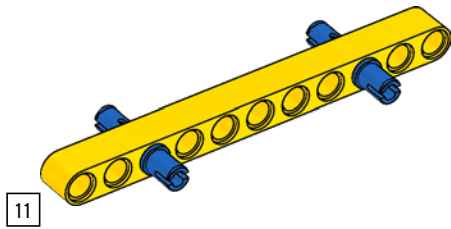


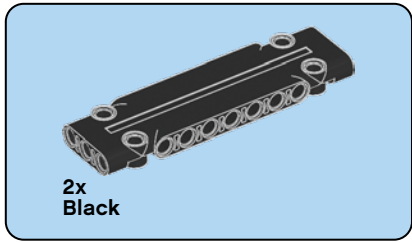
8



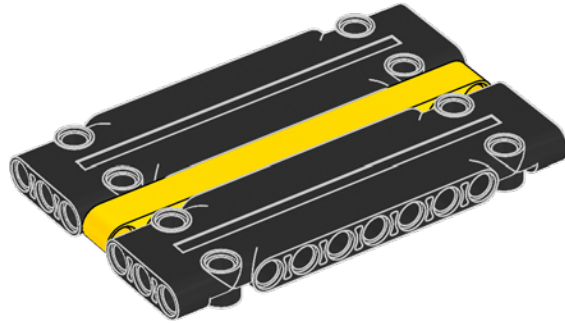


9

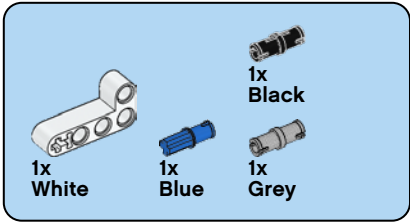




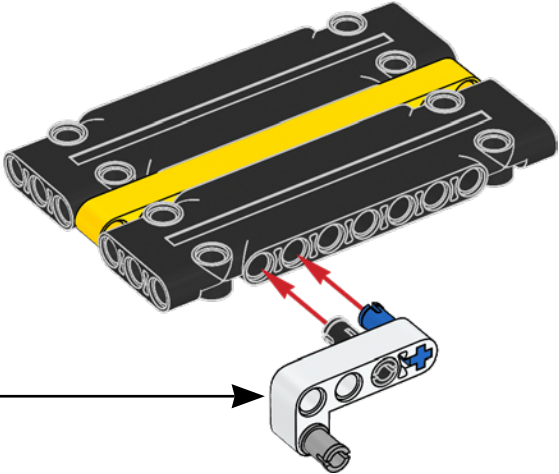
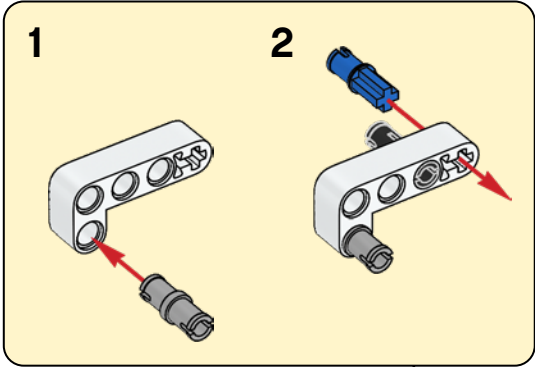
10

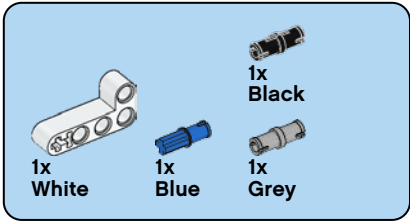




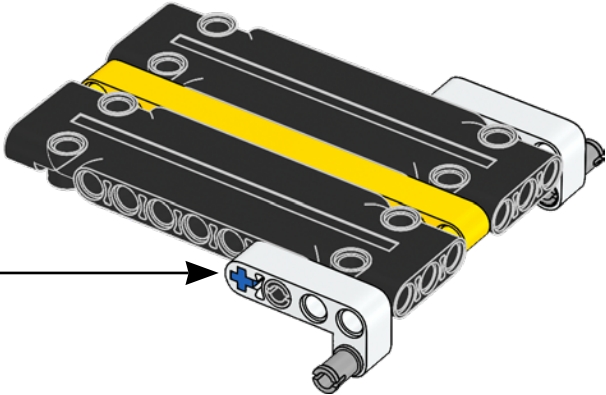
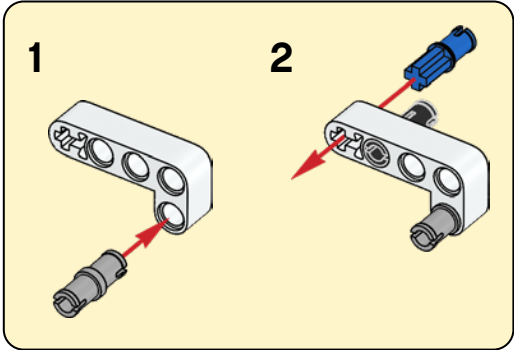


11



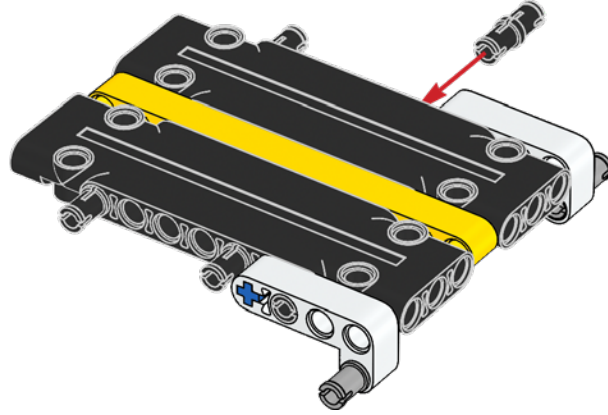


# 12



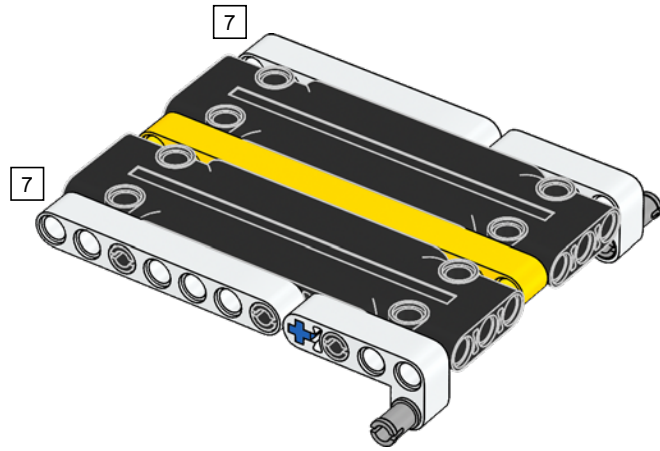
4x  
Black

13

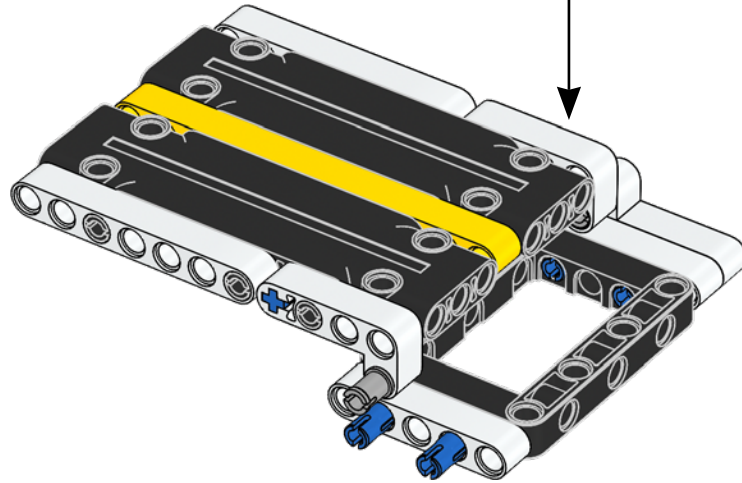


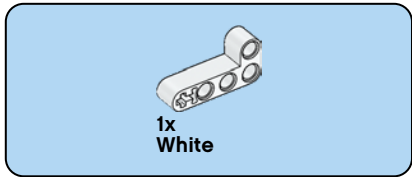
2x  
White

14

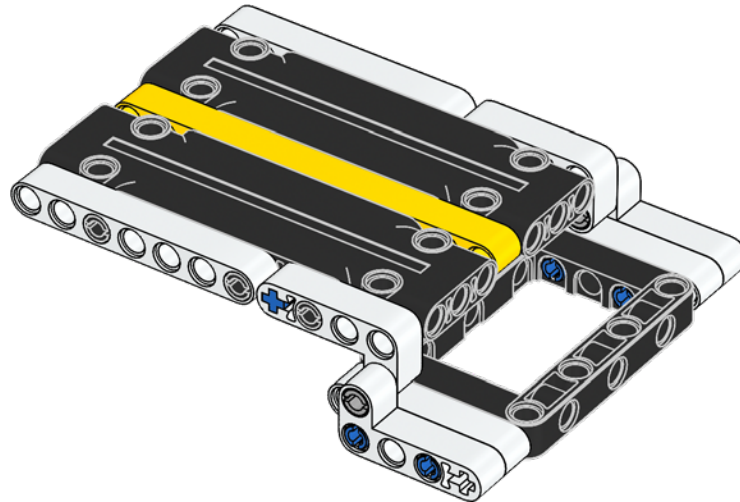


15



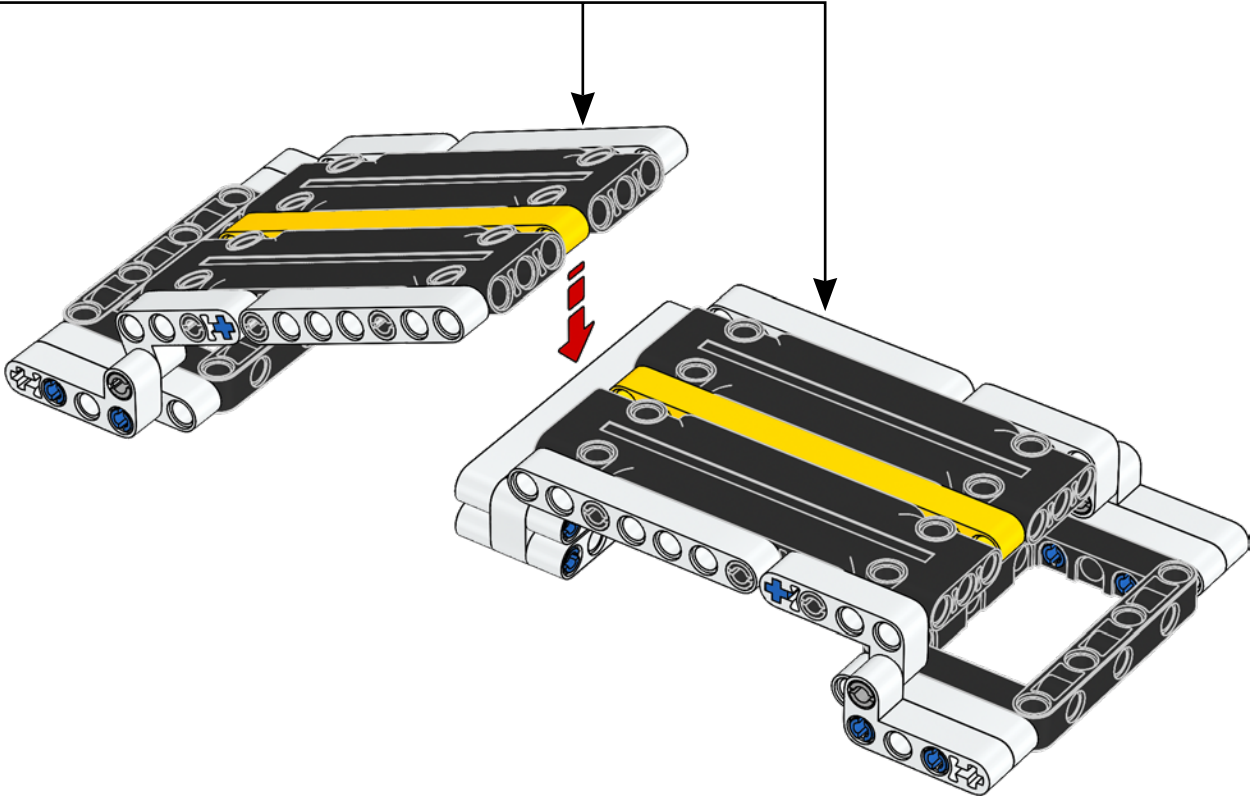


16



2x

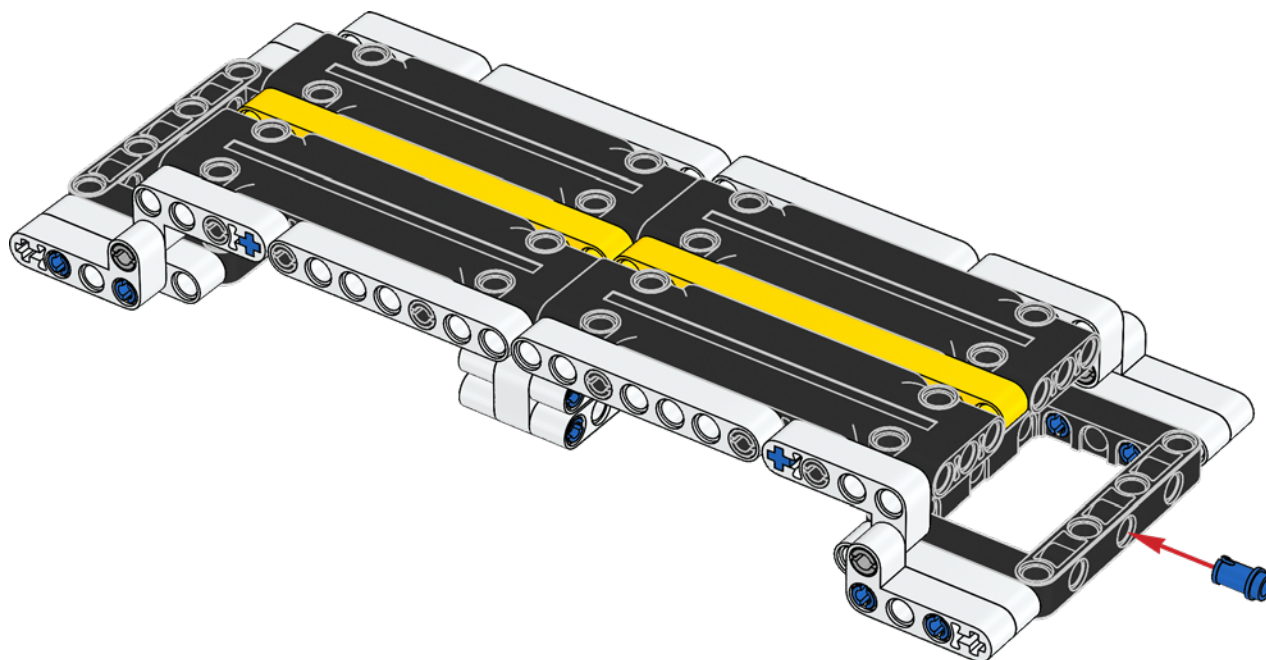
17

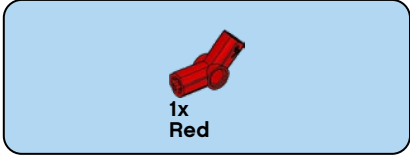
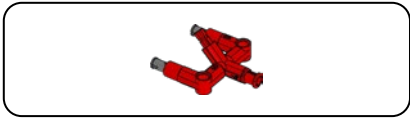


1x  
Blue

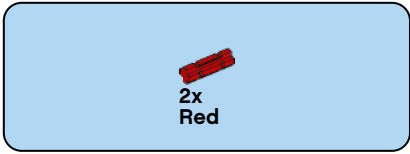
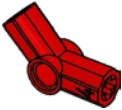


18

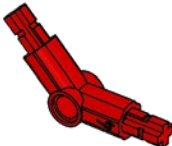




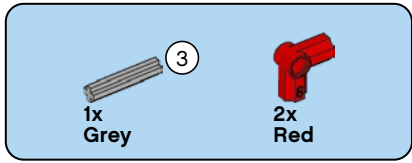
19



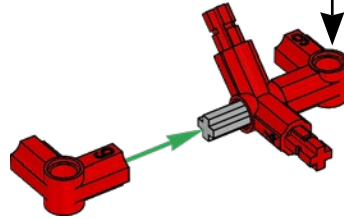
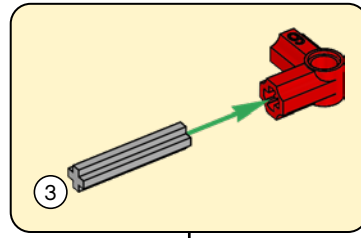
20



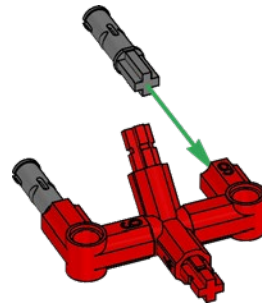




21



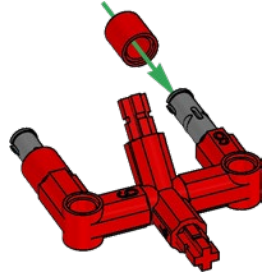
22





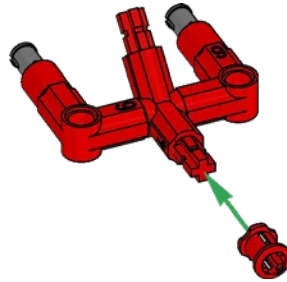
2x  
Red

23

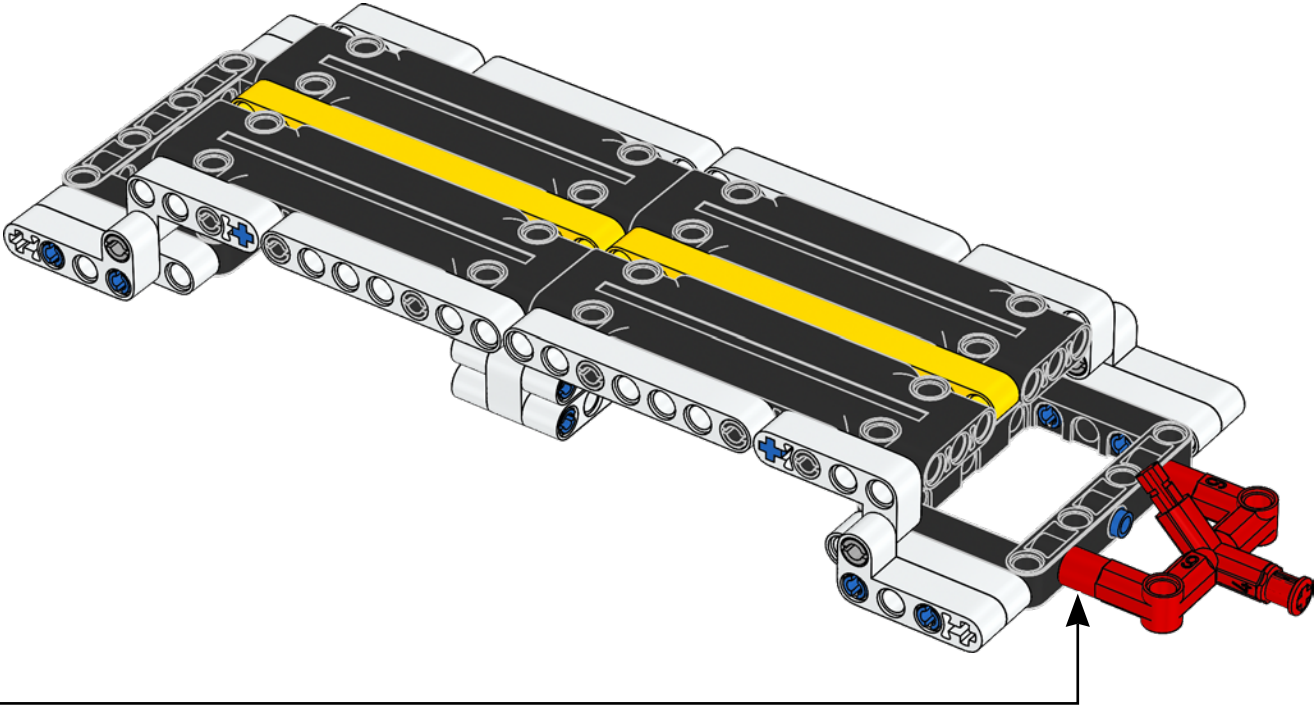


1x  
Red

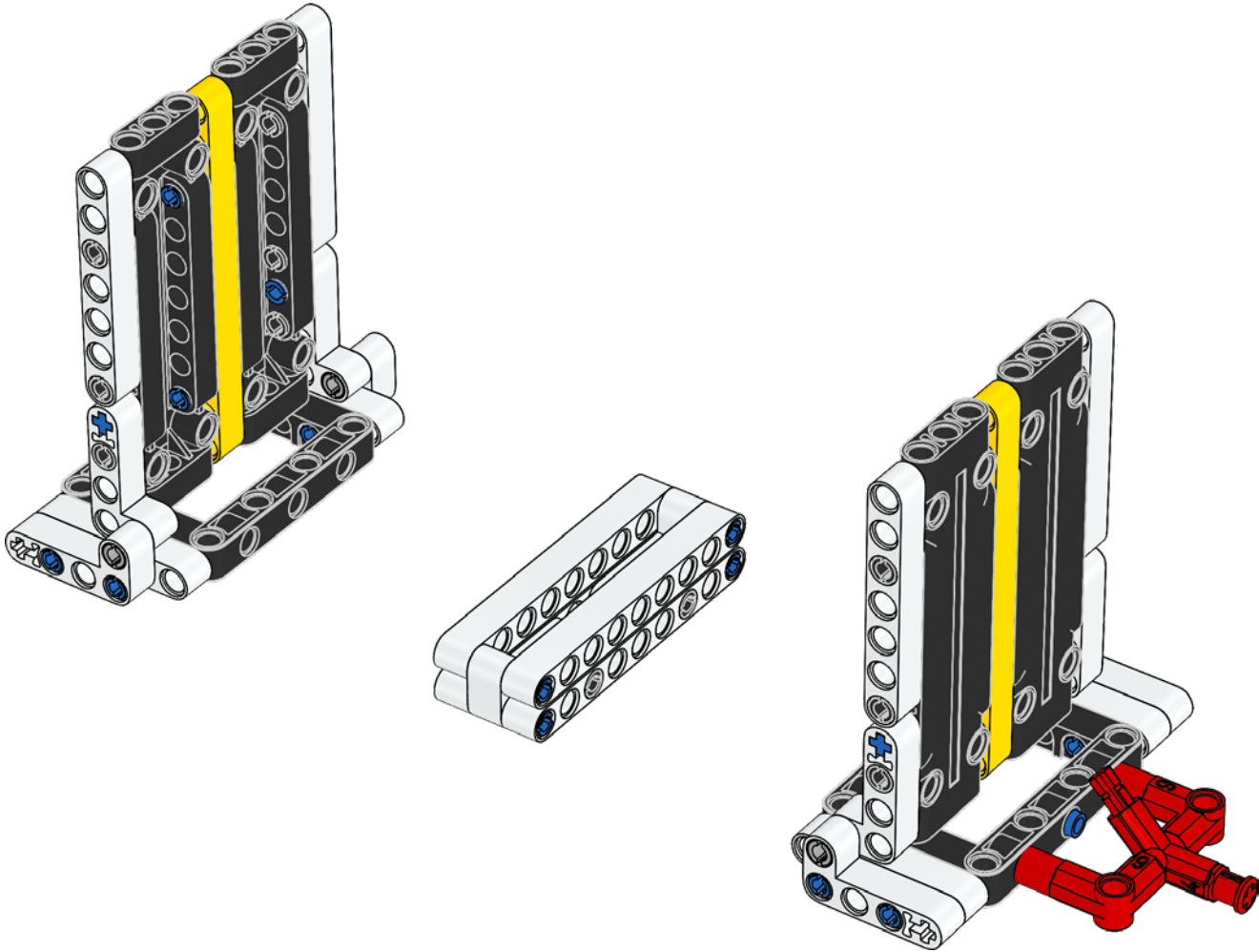
24



25



26



LEGO and the LEGO logo are trademarks of the/son des marques de commerce du/son marcas registradas de LEGO Group. ©2021 The LEGO Group. All rights reserved/Tous droits réservés/Todos los derechos reservados.

FIRST® is a registered trademark of For Inspiration and Recognition of Science and Technology (FIRST). LEGO® is a registered trademark of the LEGO Group. FIRST® LEGO® League and CARGO CONNECT™ are jointly held trademarks of FIRST and the LEGO Group.

©2021 FIRST and the LEGO Group. All rights reserved.