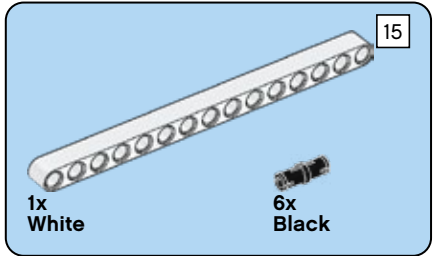
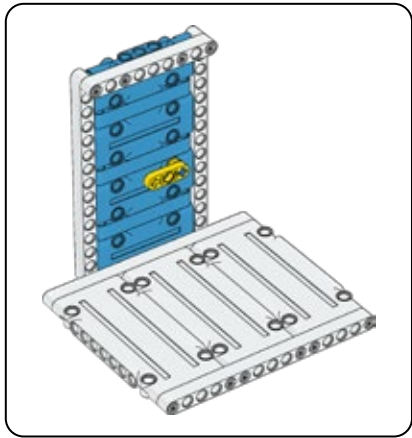
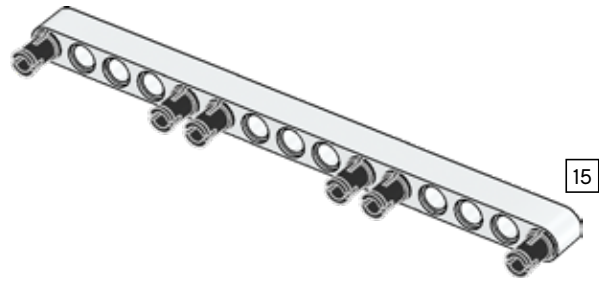


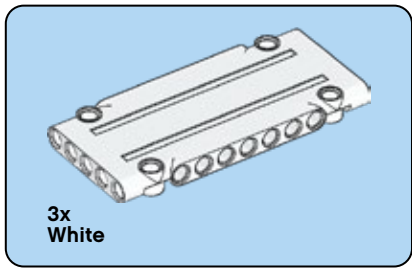
45816



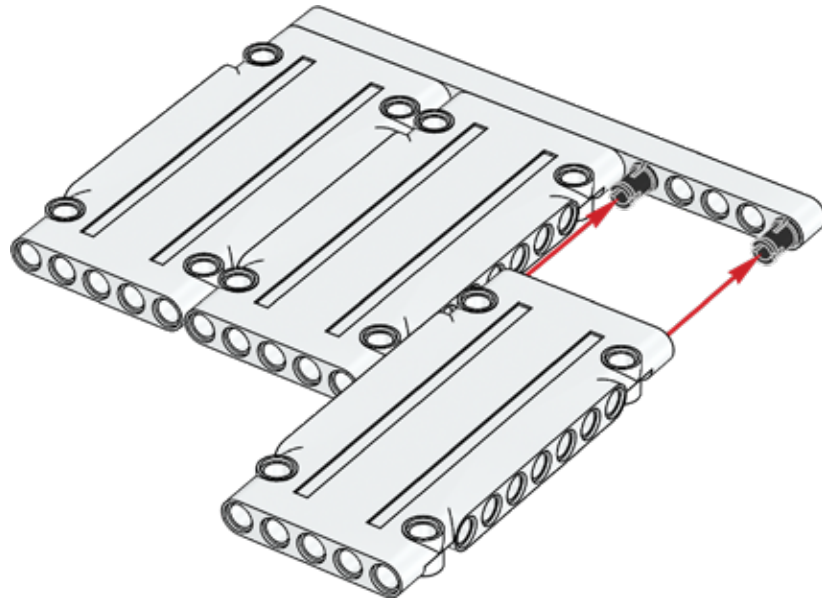


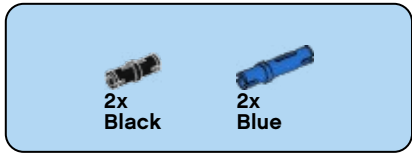
**1**



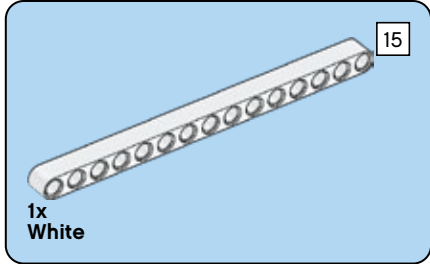
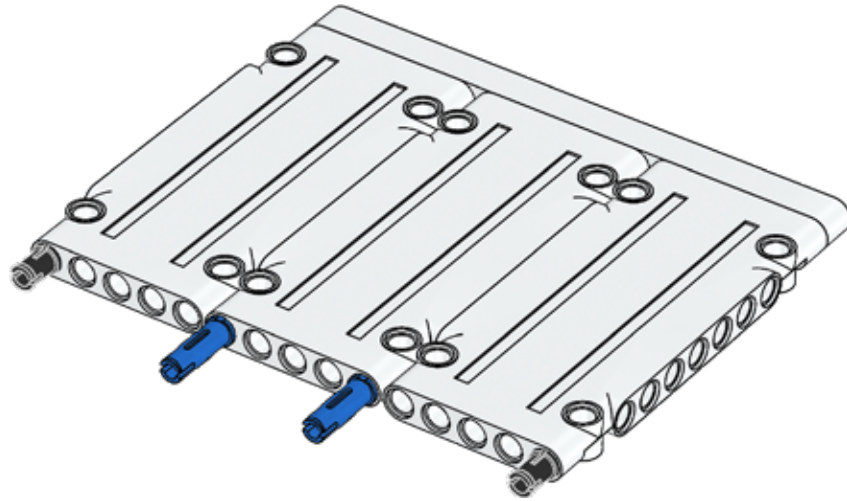


2

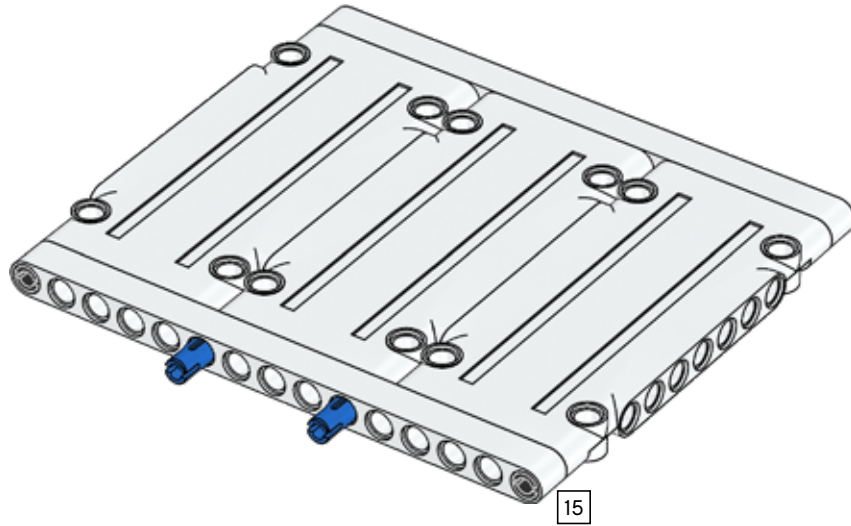


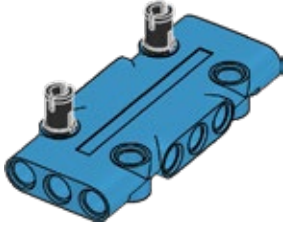
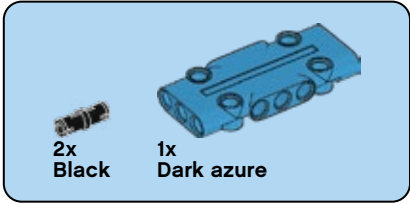
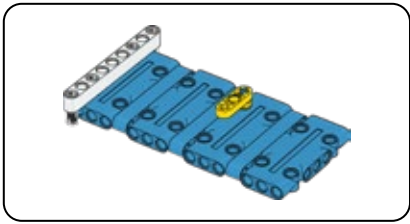


3

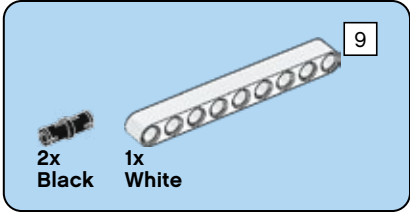


4

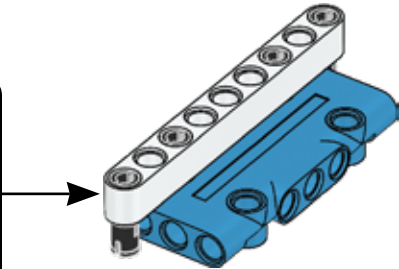
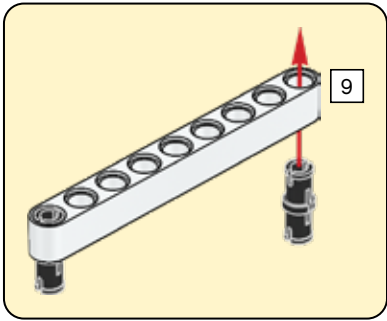




5

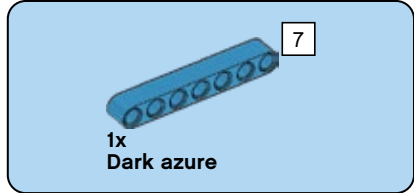
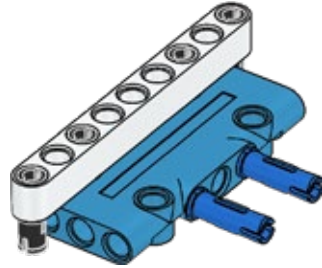


6

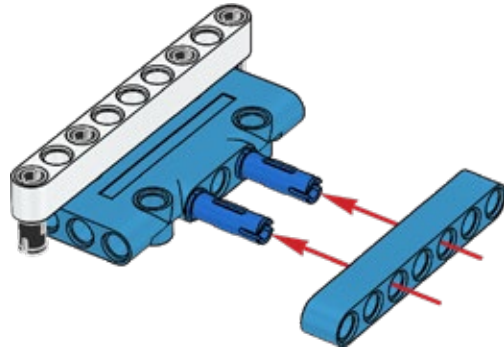


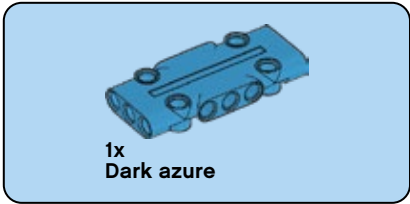


7

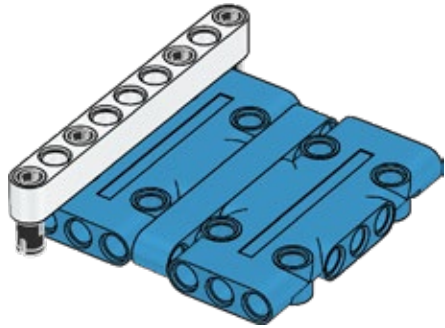


8

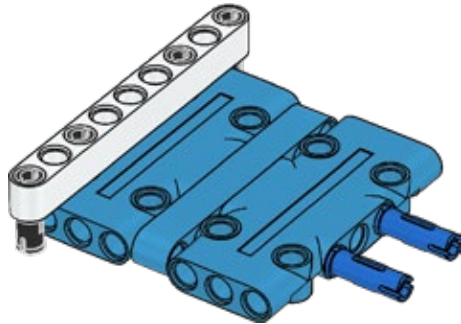


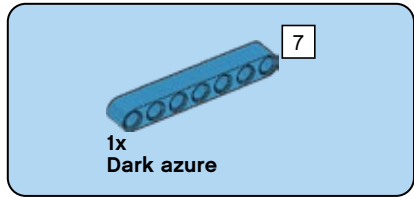


9



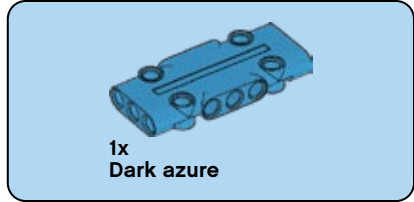
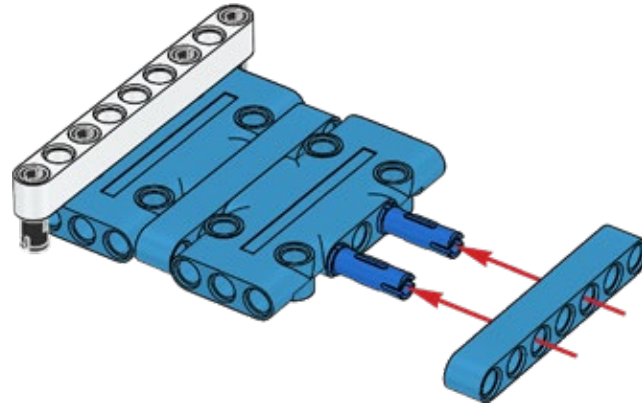
10





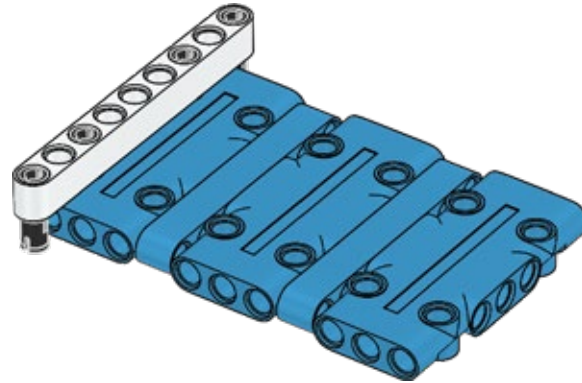
1x  
Dark azure

11



1x  
Dark azure

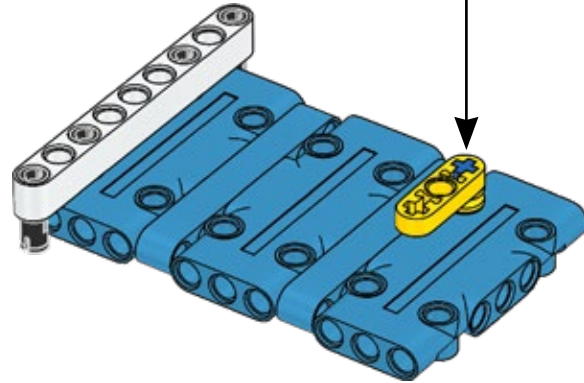
12



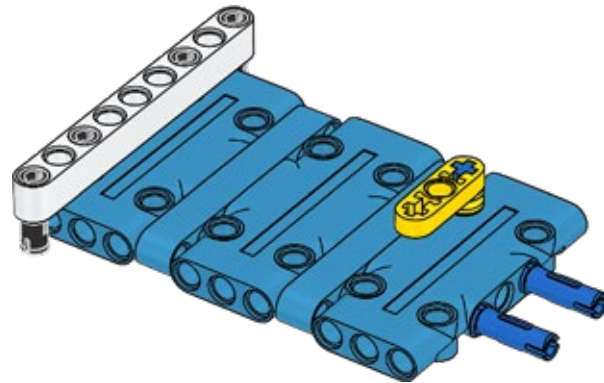


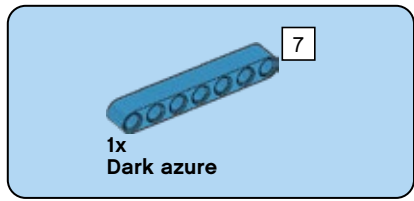


13

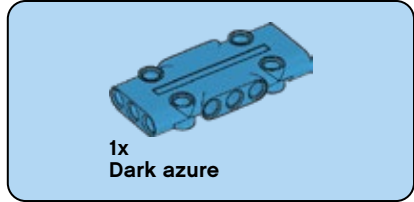
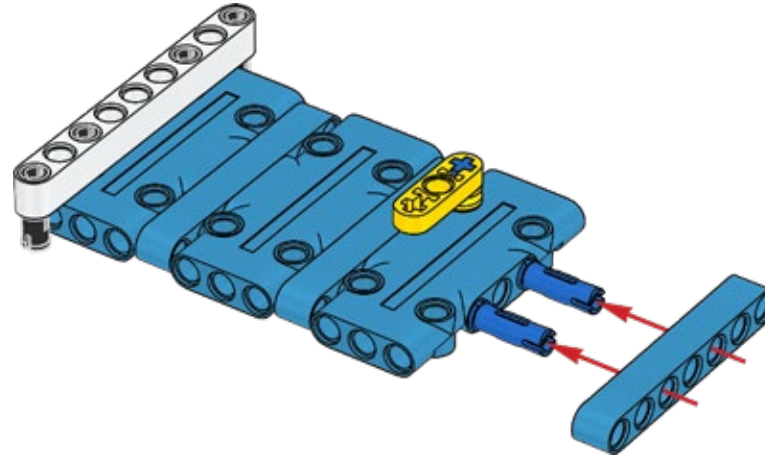


14

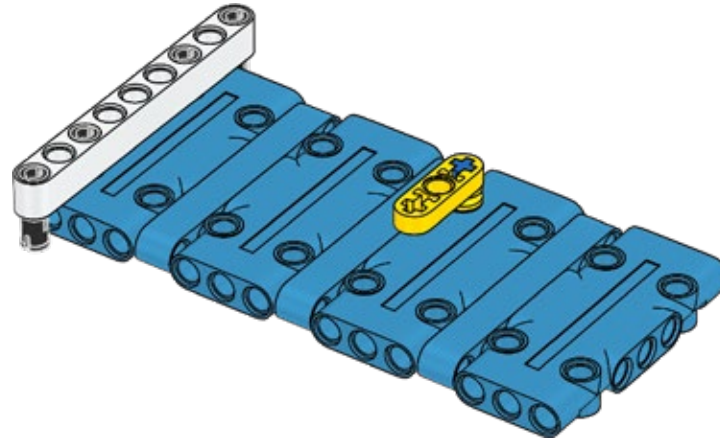


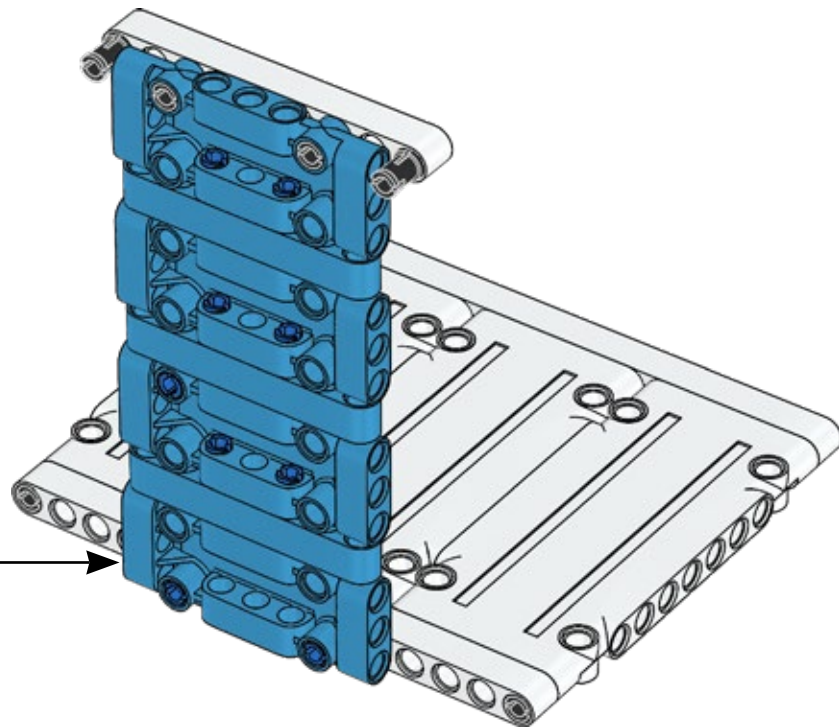


15



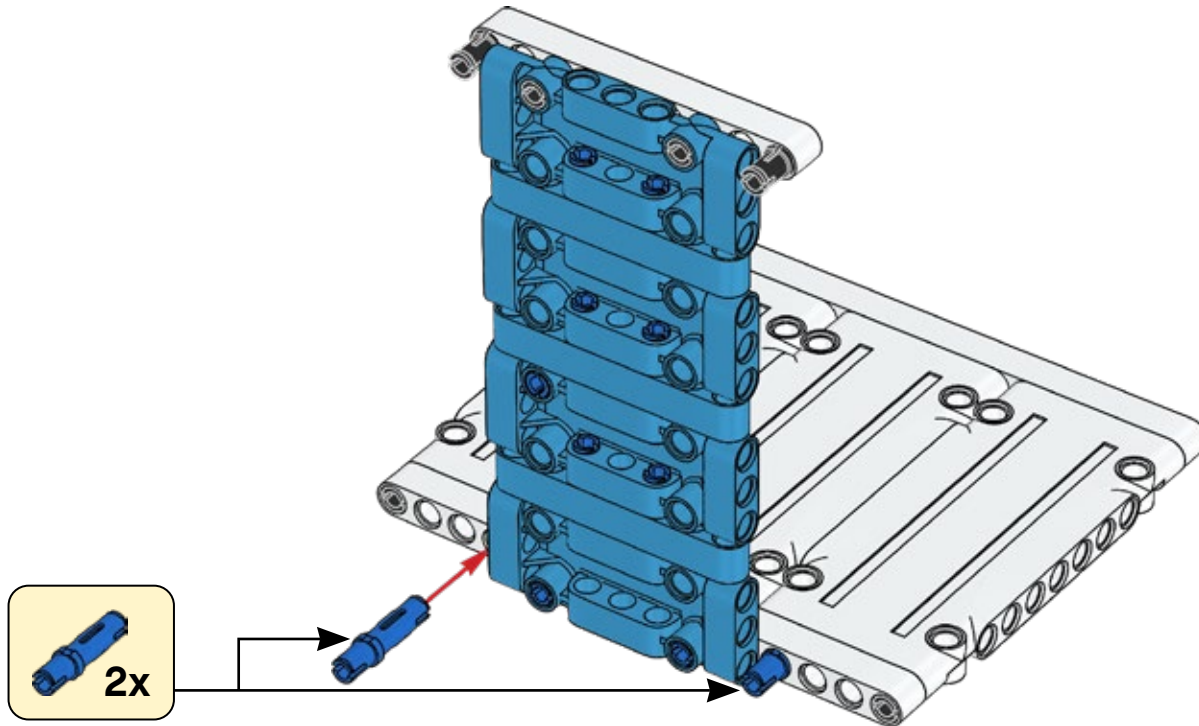
16

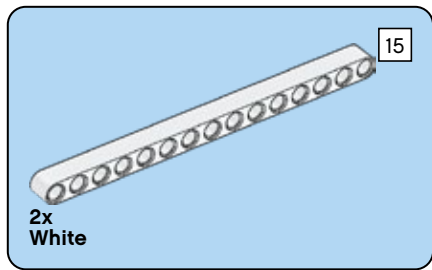




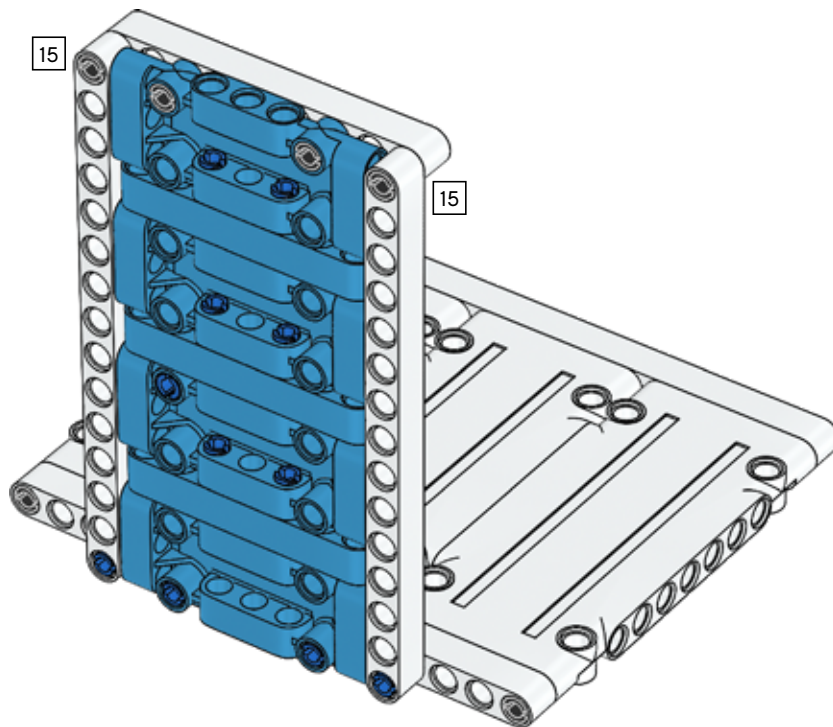


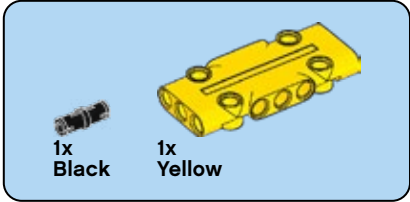
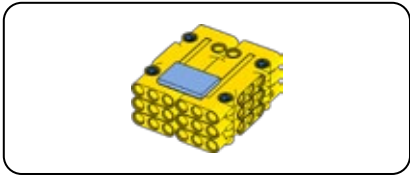
18



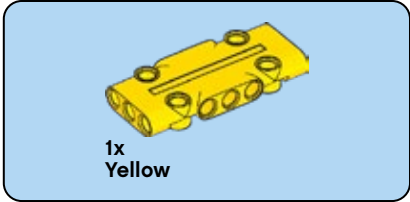
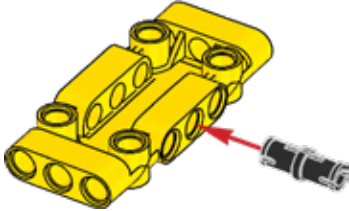


19

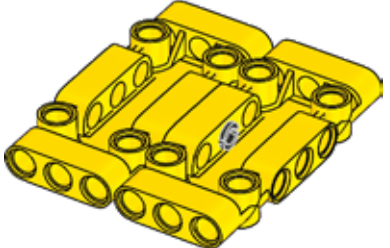




20

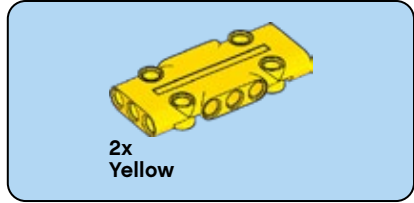
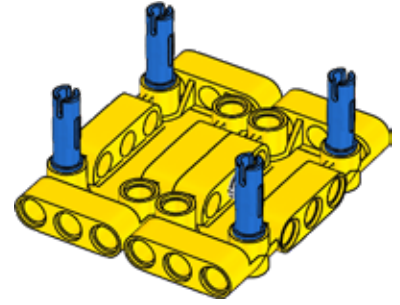


21

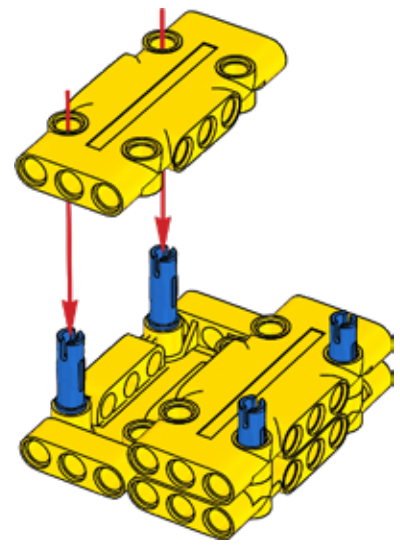


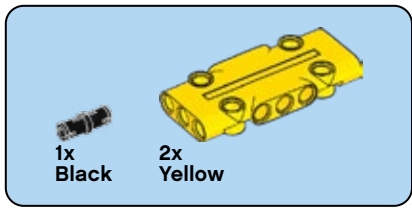


22

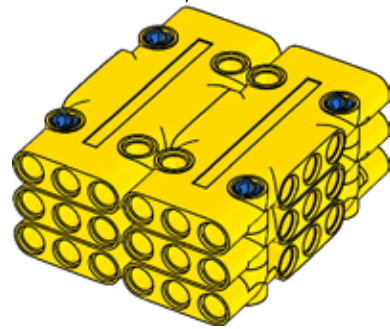
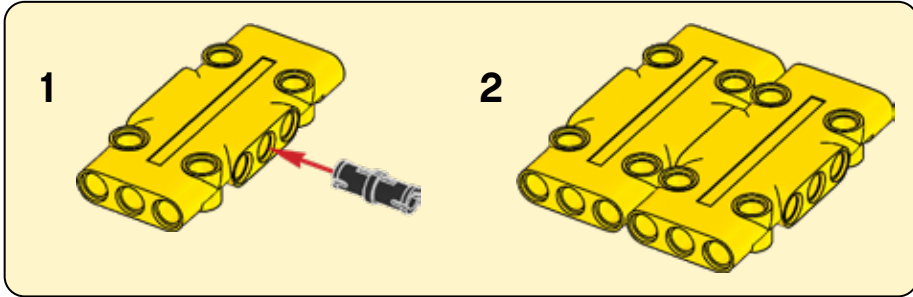


23





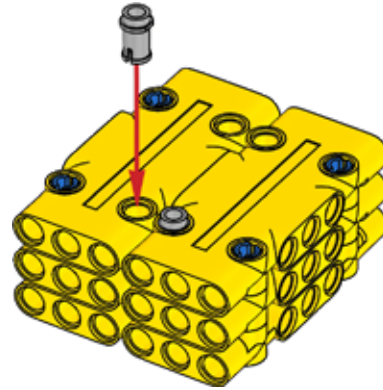
24





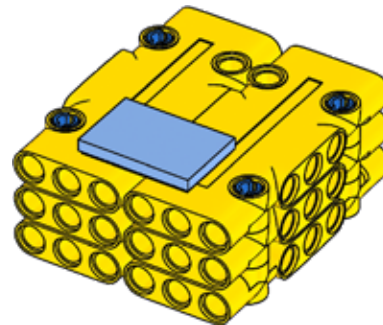
2x  
Grey

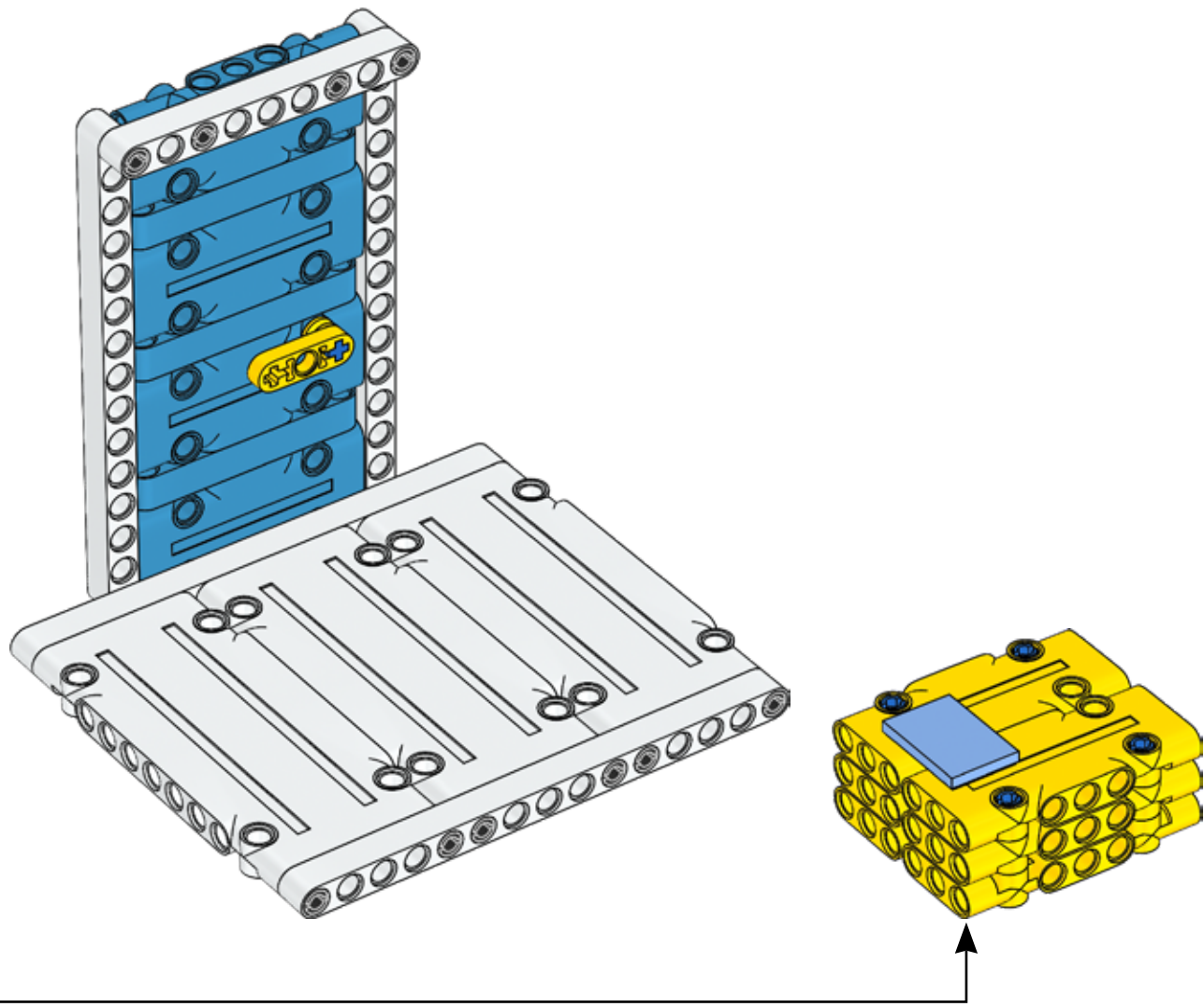
25



1x  
Light blue

26





LEGO and the LEGO logo are trademarks of the/son des marques de commerce du/son marcas registradas de LEGO Group. ©2021 The LEGO Group. All rights reserved/Tous droits réservés/Todos los derechos reservados.

FIRST® is a registered trademark of For Inspiration and Recognition of Science and Technology (FIRST). LEGO® is a registered trademark of the LEGO Group. FIRST® LEGO® League and CARGO CONNECT™ are jointly held trademarks of FIRST and the LEGO Group.

©2021 FIRST and the LEGO Group. All rights reserved.