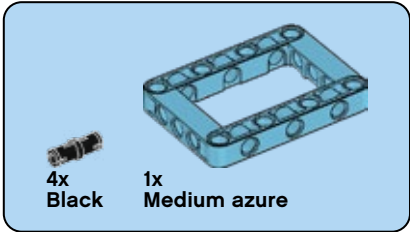
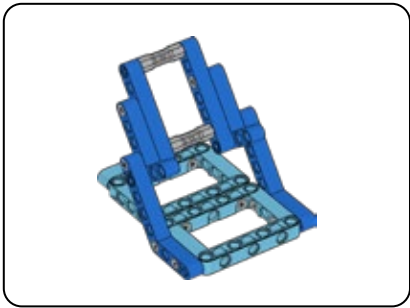
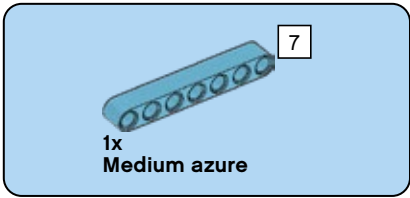
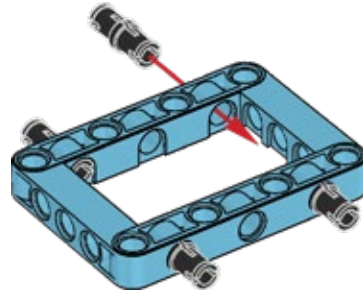


45816

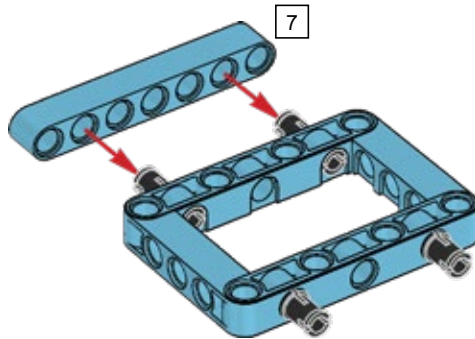


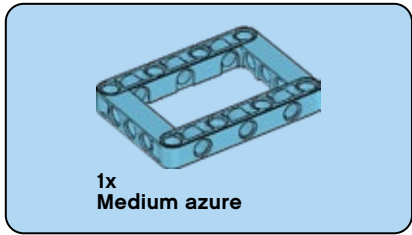


1

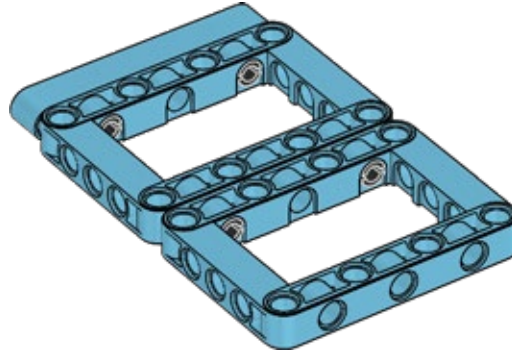


2

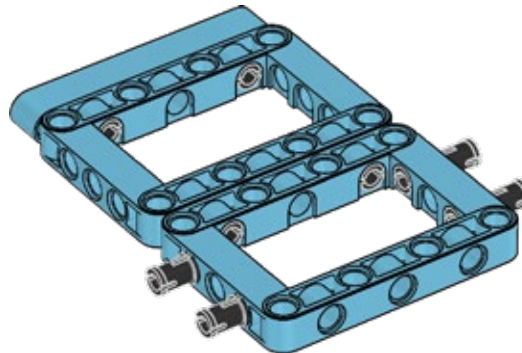


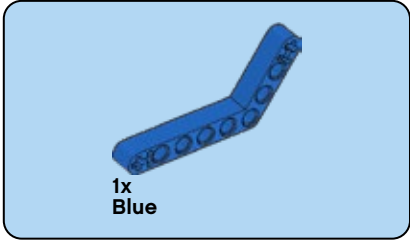
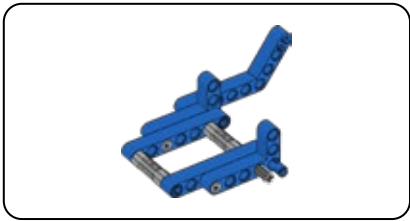


**3**

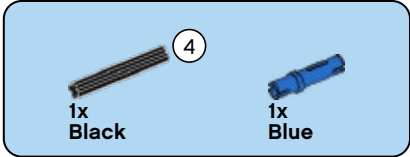
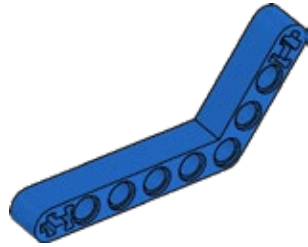


**4**

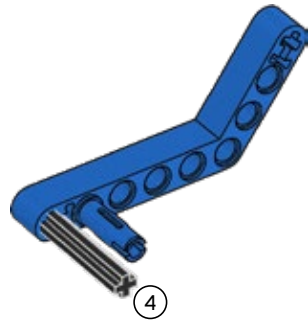


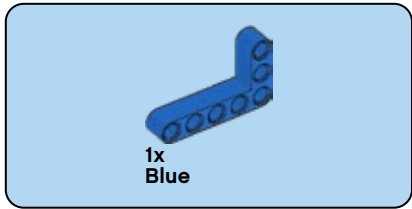


5

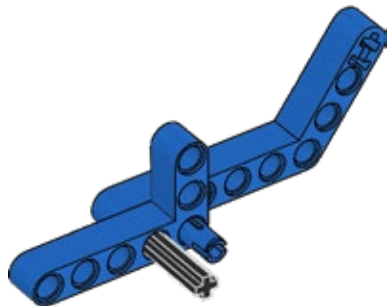


6

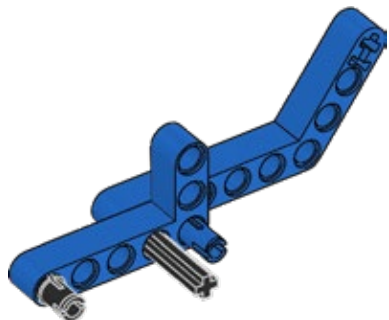


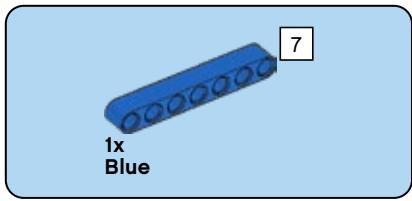


7

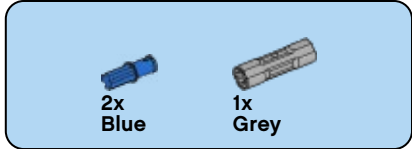
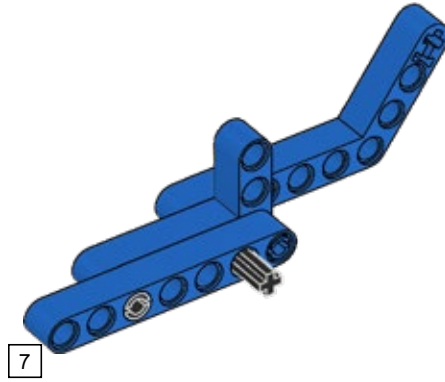


8

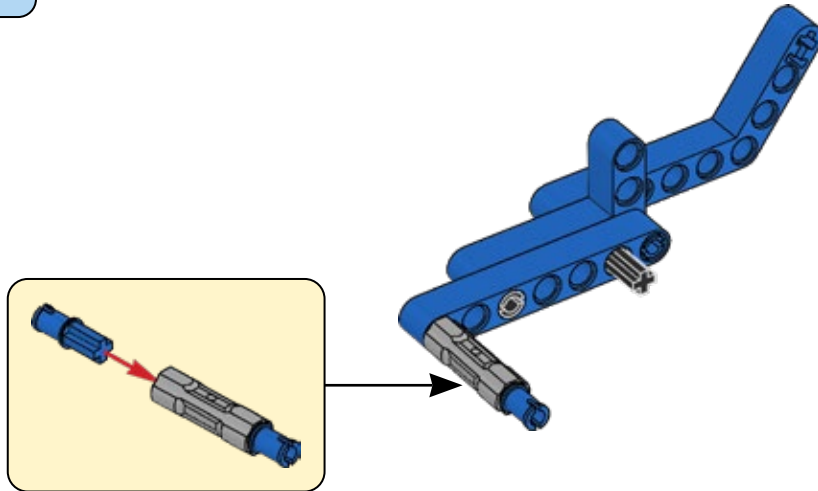


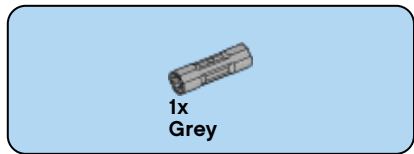


9

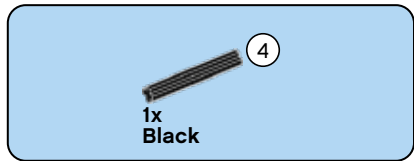
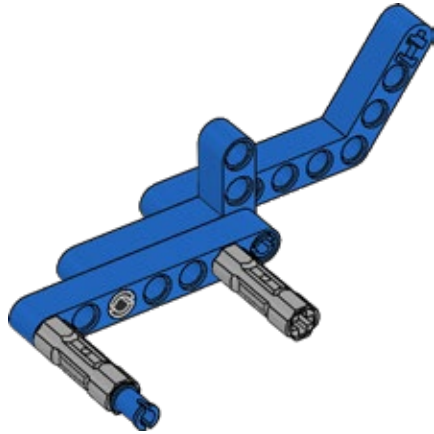


10

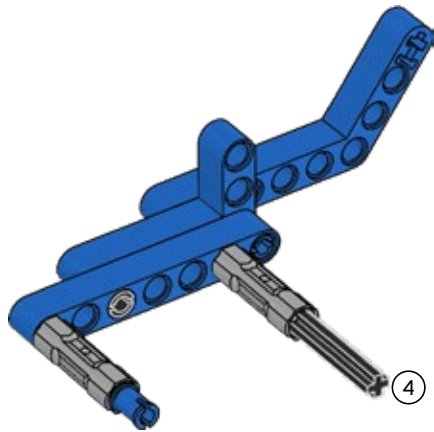


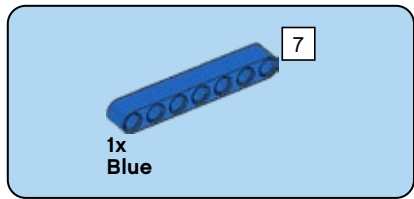


11

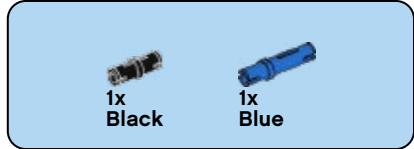
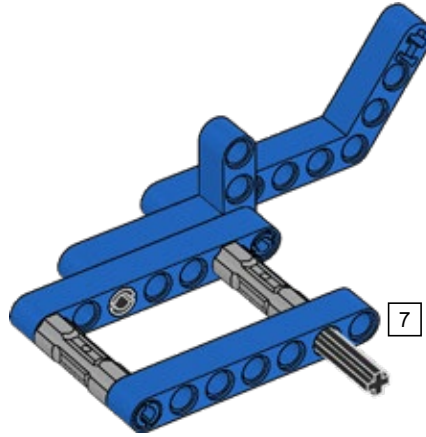


12

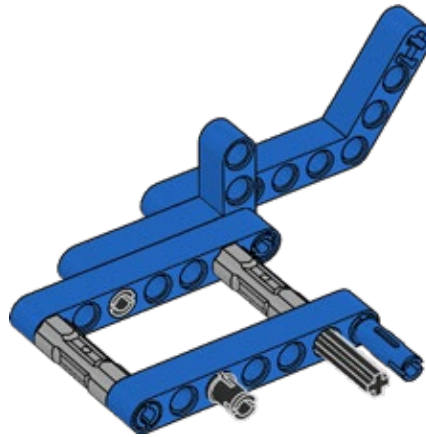




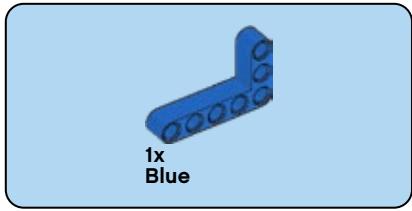
13



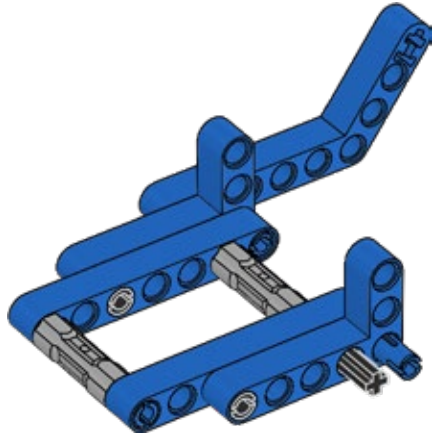
14



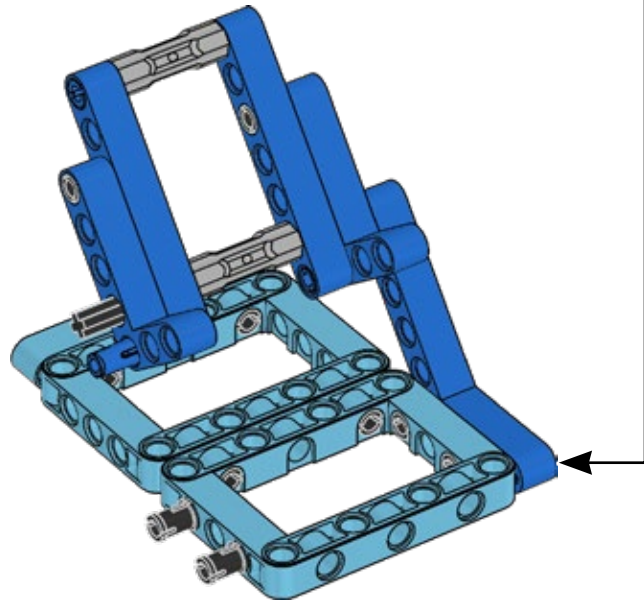


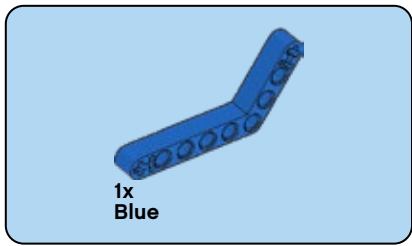


15

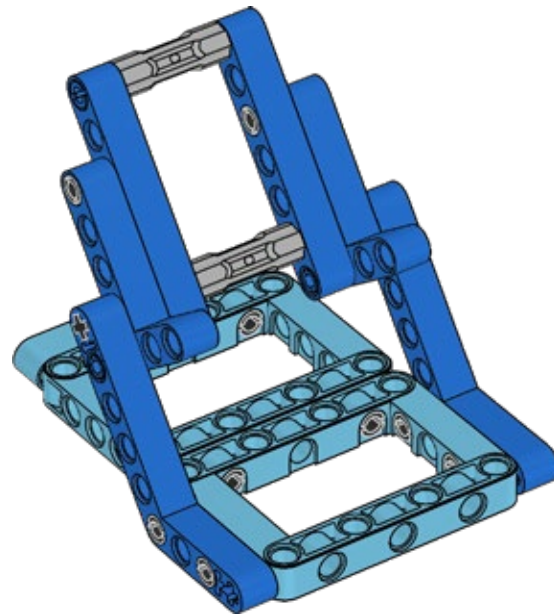


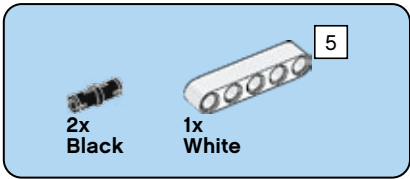
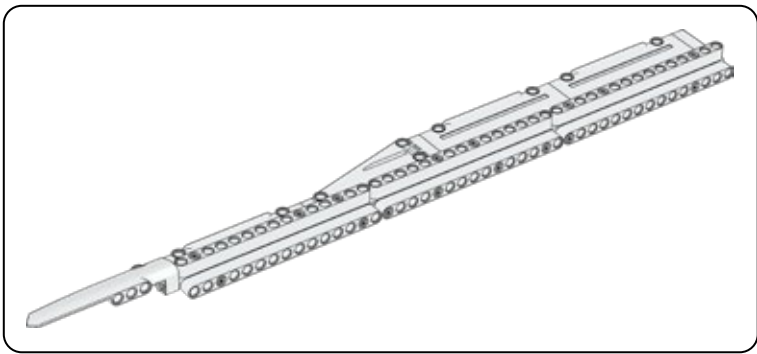
16



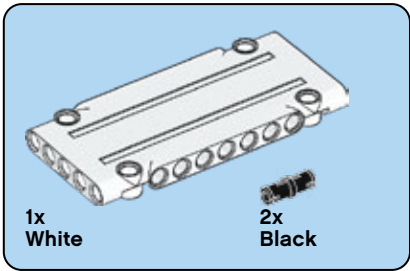
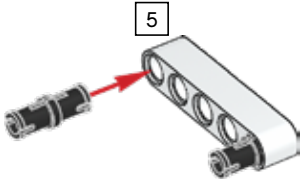


17

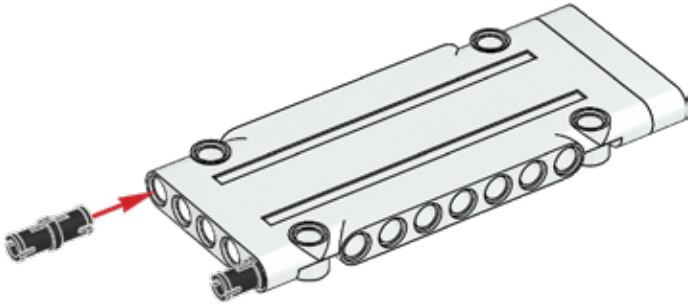


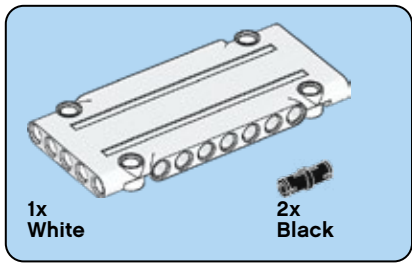


18

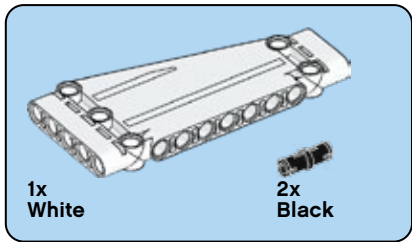
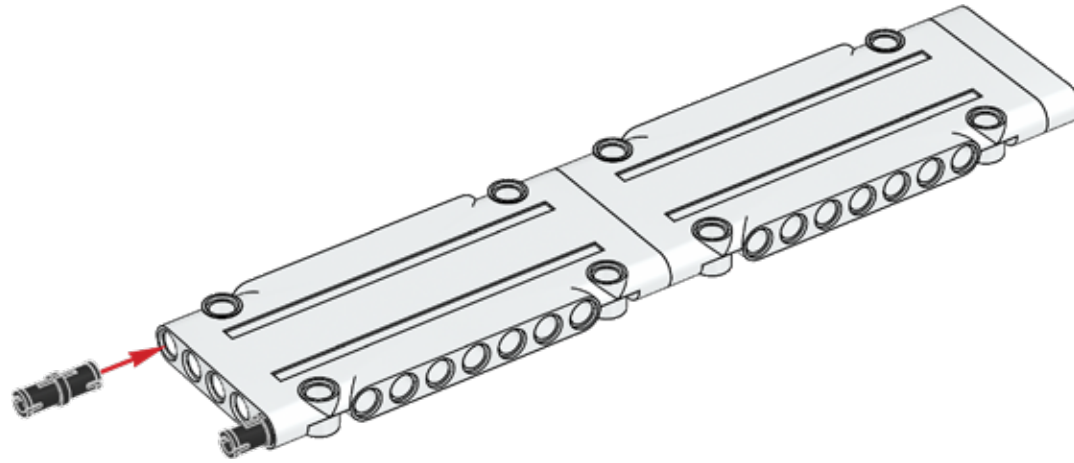


19

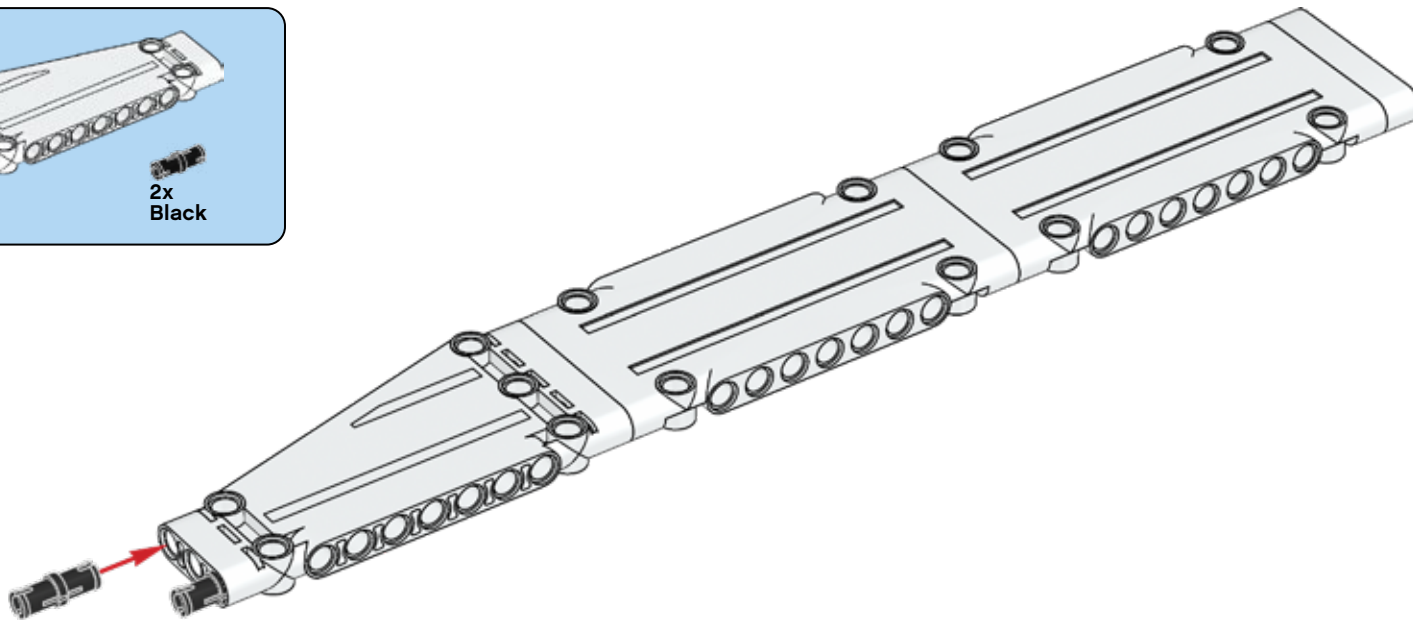


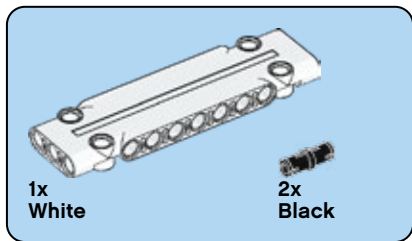


20

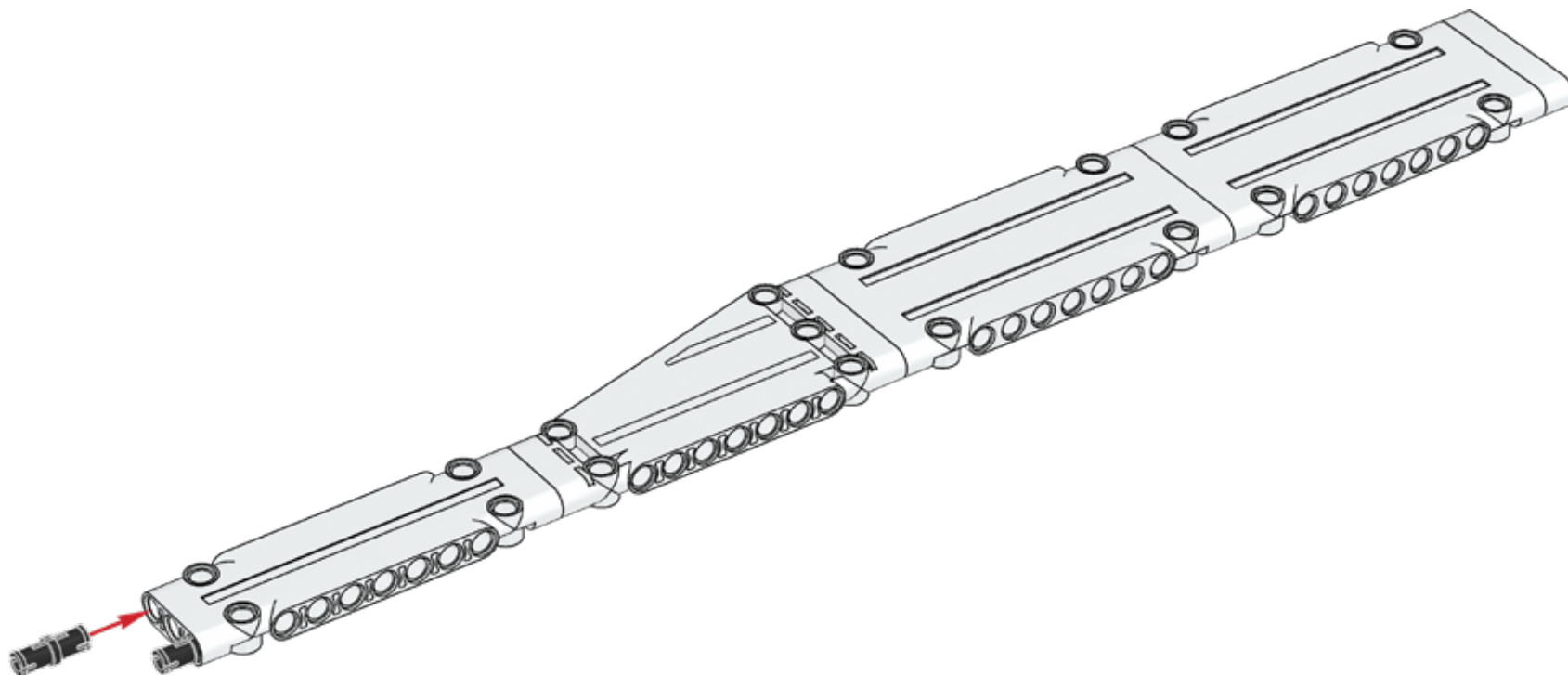


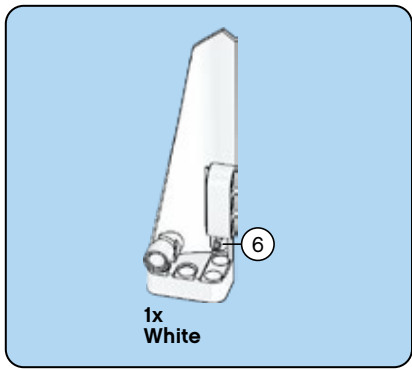
21



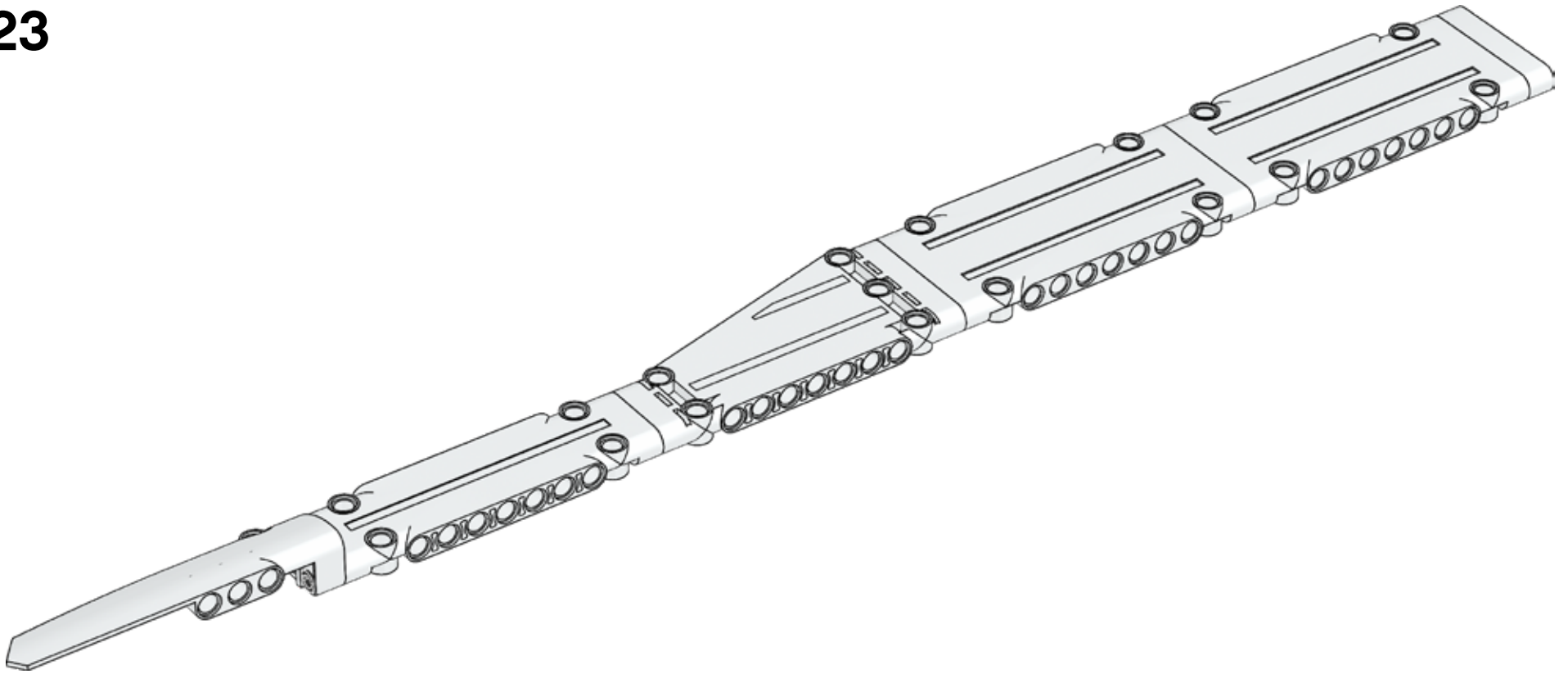


22





23

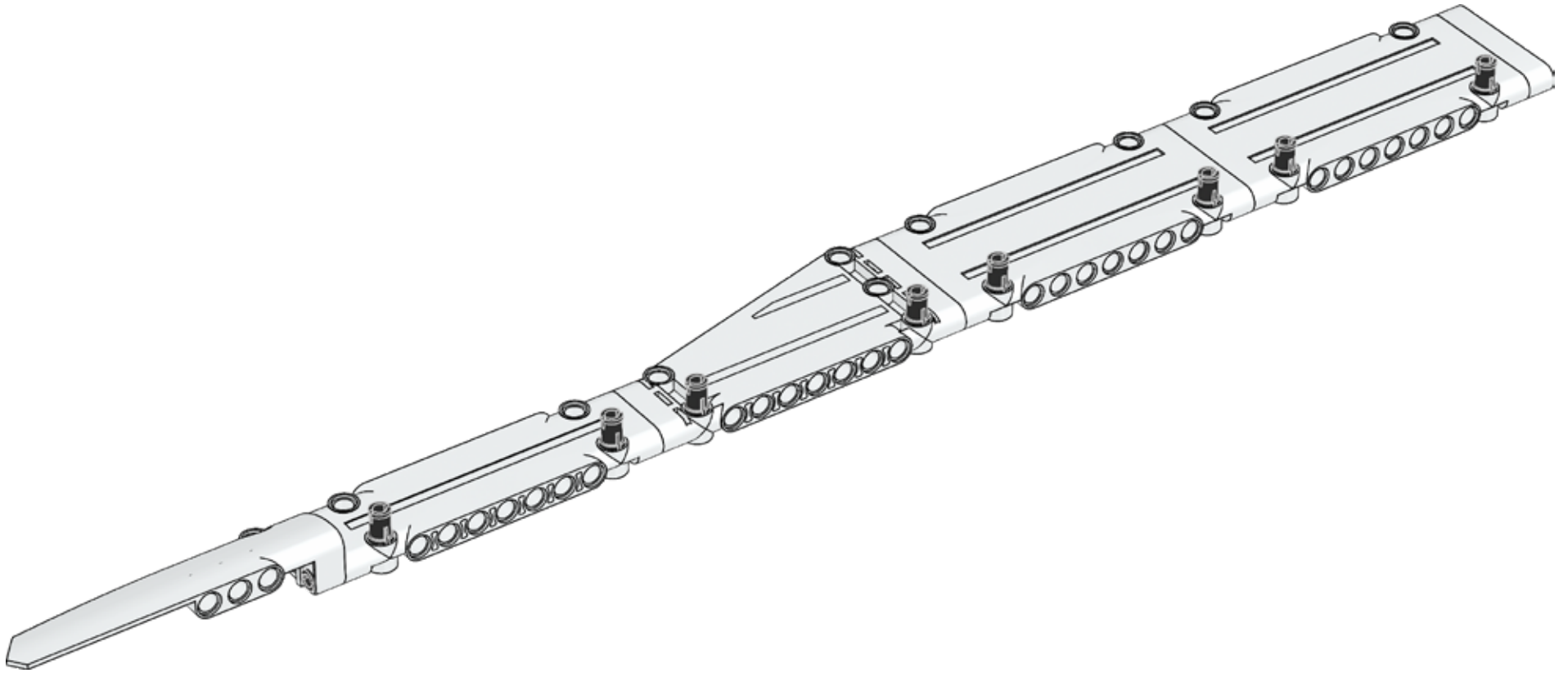


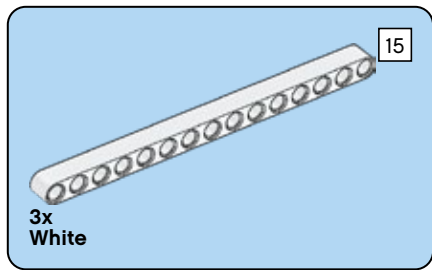


8x  
Black

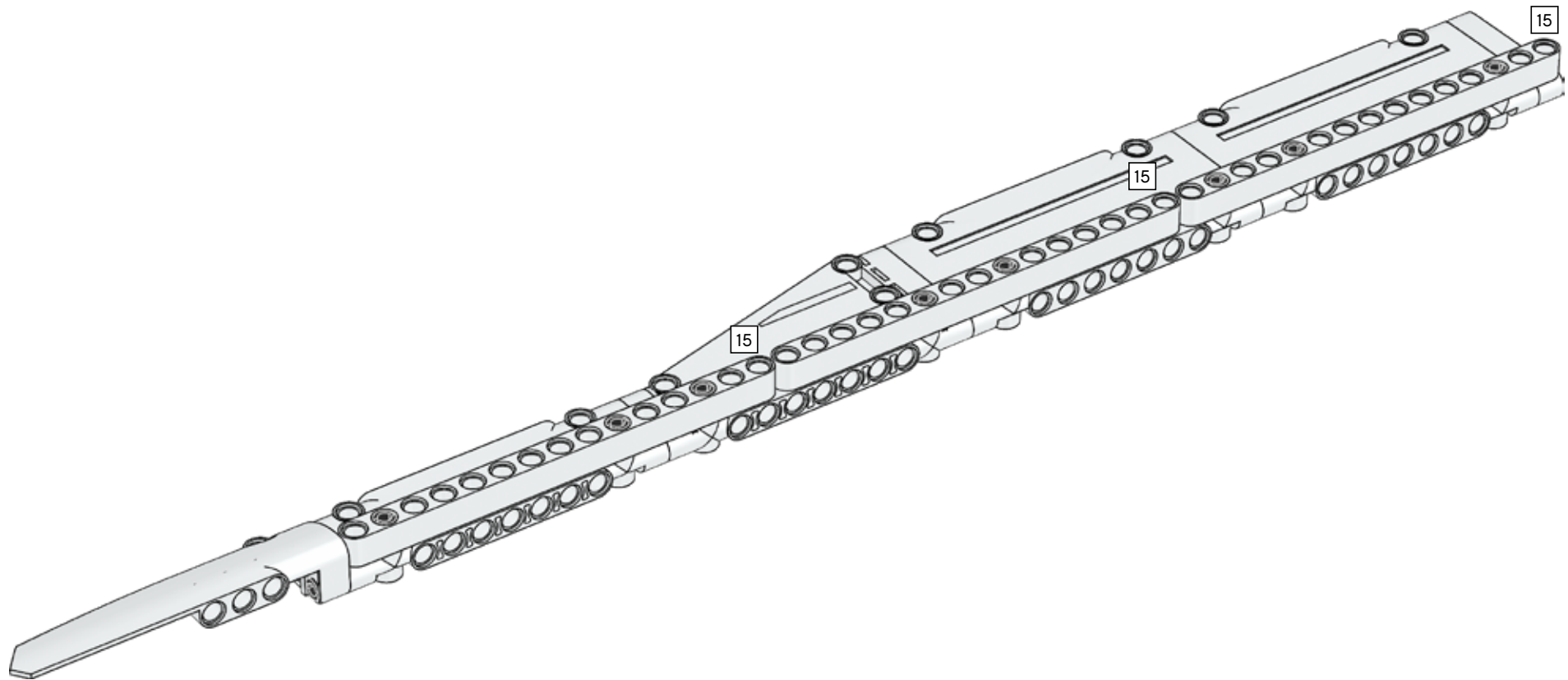


24





25



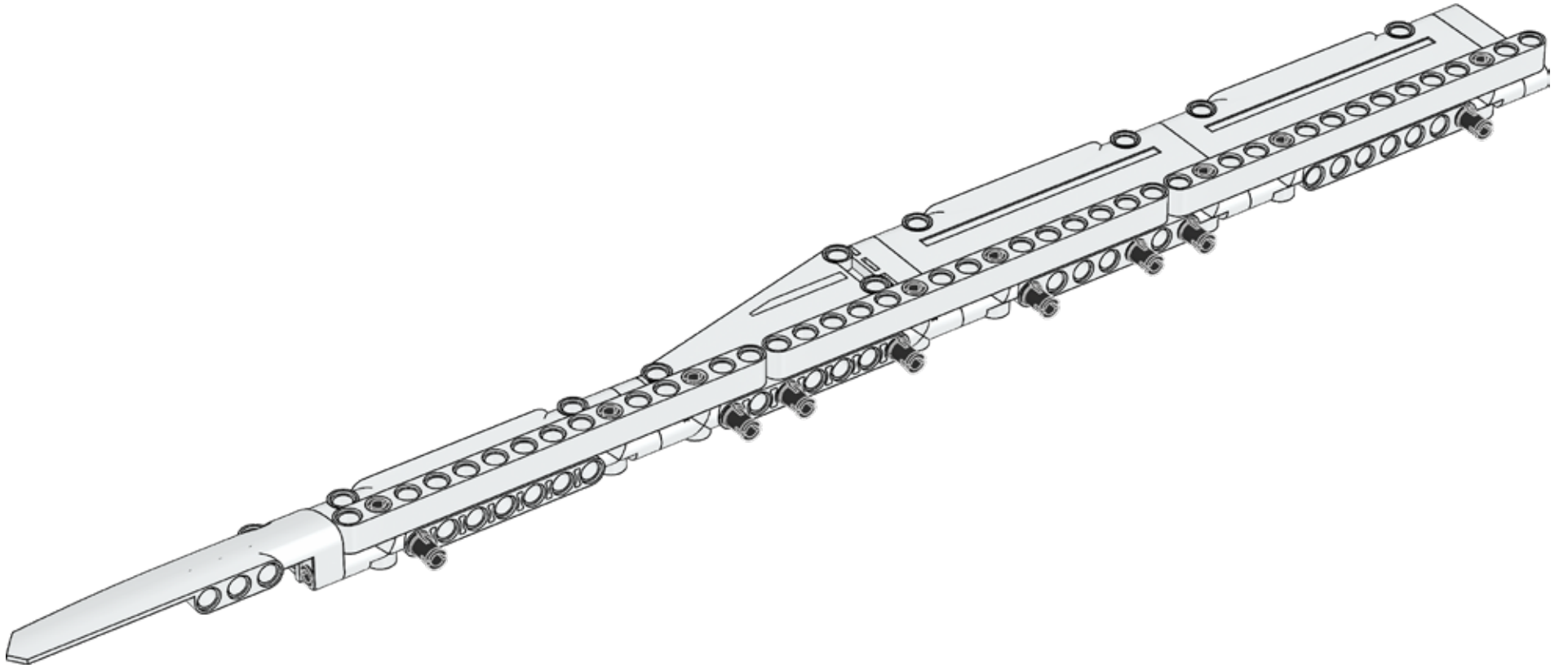


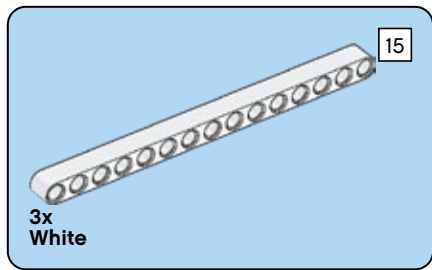


8x  
Black

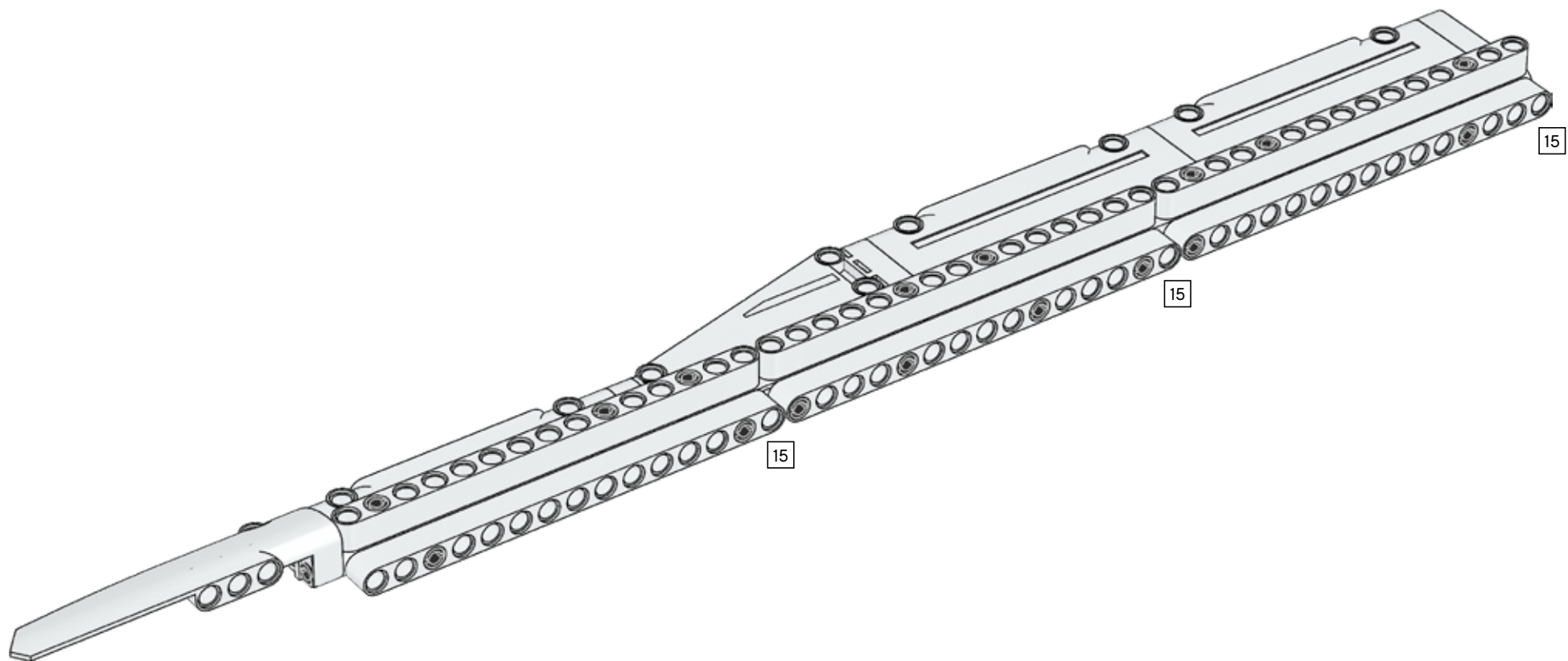


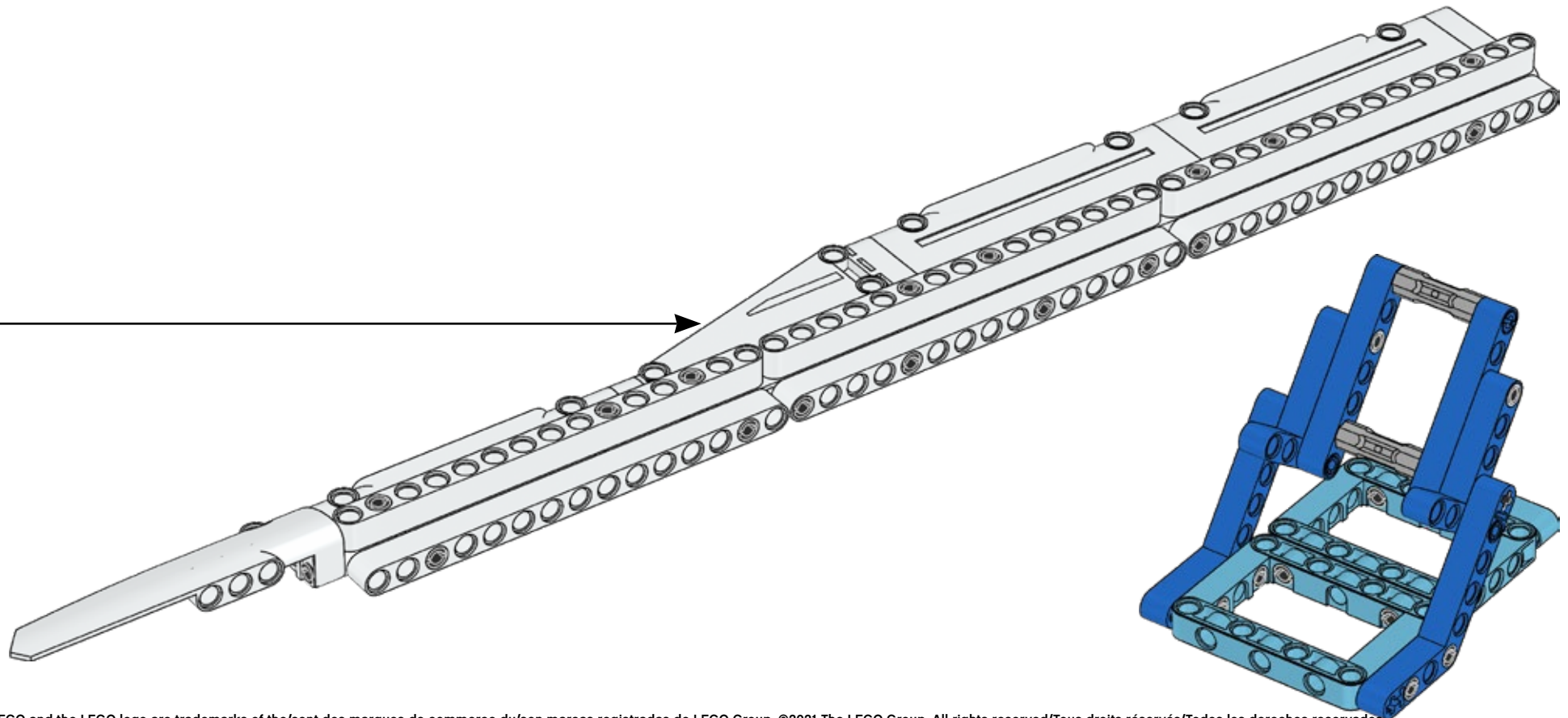
26





27





LEGO and the LEGO logo are trademarks of the/son des marques de commerce du/son marcas registradas de LEGO Group. ©2021 The LEGO Group. All rights reserved/Tous droits réservés/Todos los derechos reservados.

FIRST® is a registered trademark of For Inspiration and Recognition of Science and Technology (FIRST). LEGO® is a registered trademark of the LEGO Group. FIRST® LEGO® League and CARGO CONNECT™ are jointly held trademarks of FIRST and the LEGO Group.

©2021 FIRST and the LEGO Group. All rights reserved.