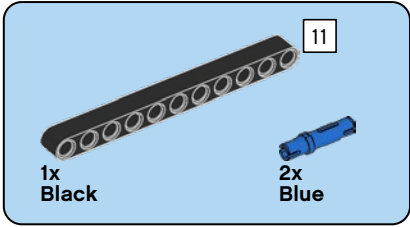
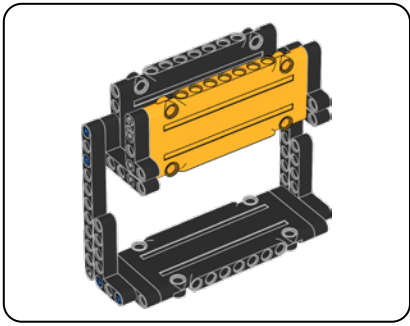
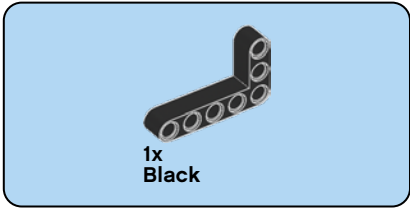


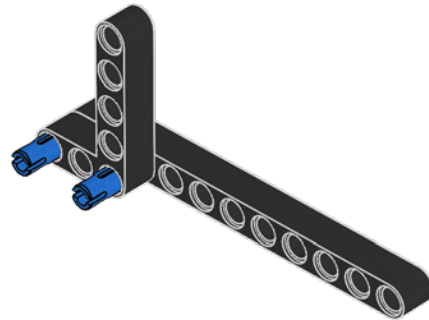
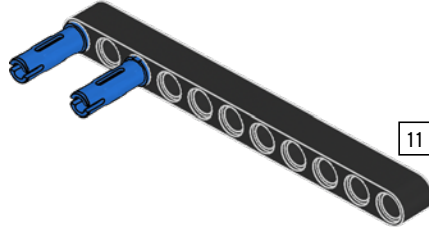
45816

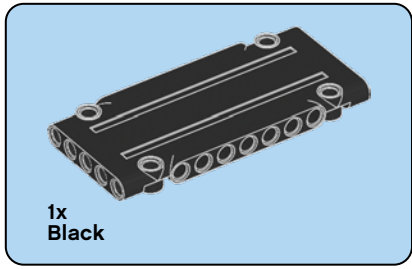


1

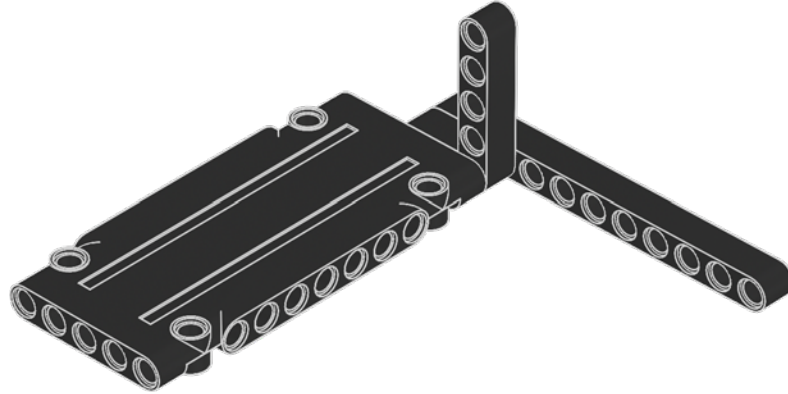


2

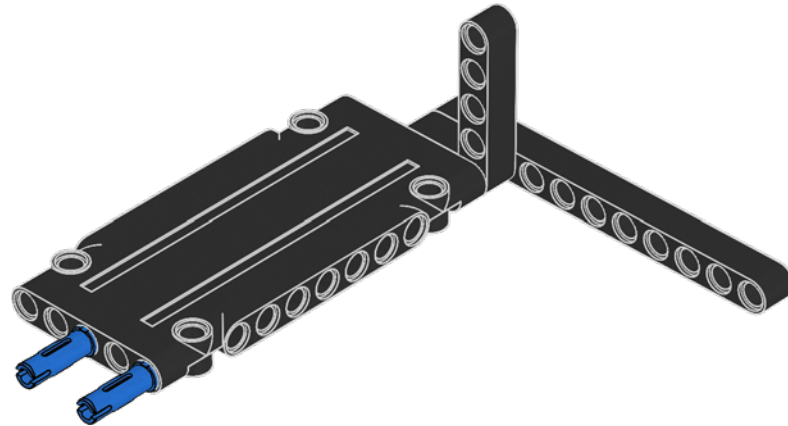


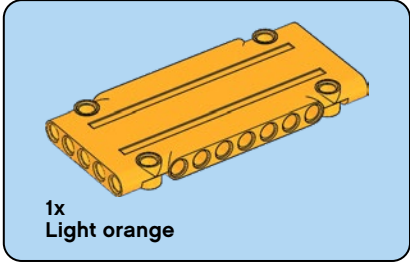
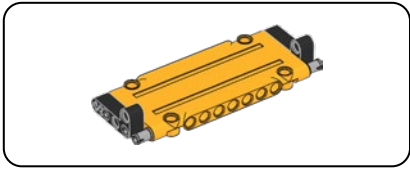


3

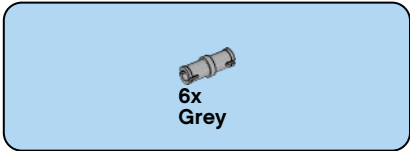
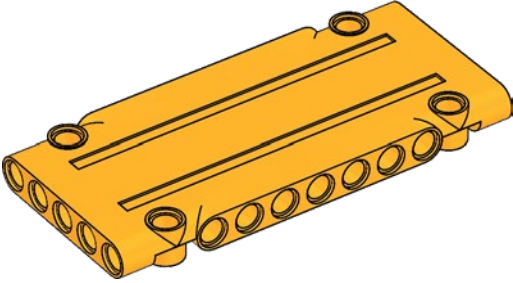


4

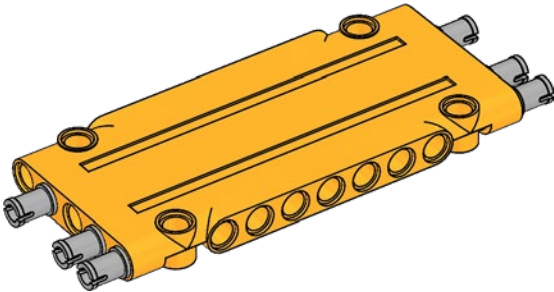


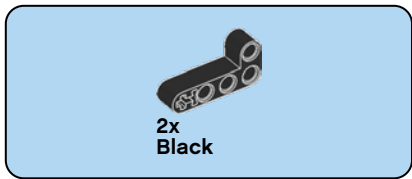


5

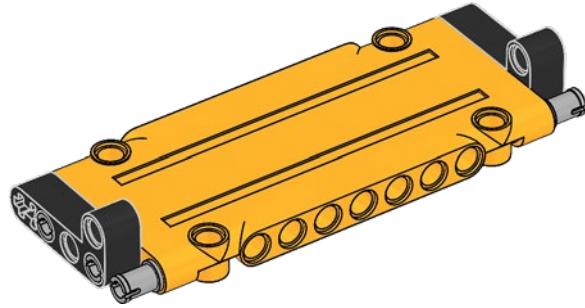


6

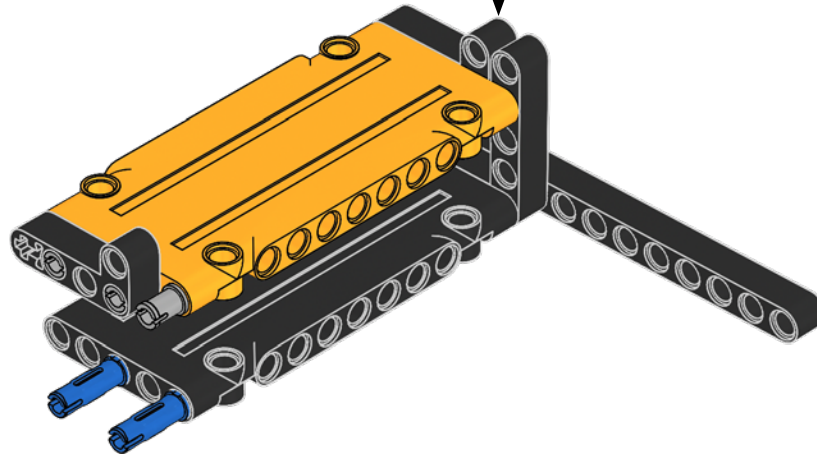


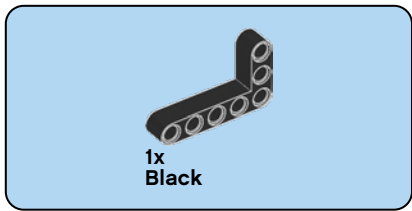


7

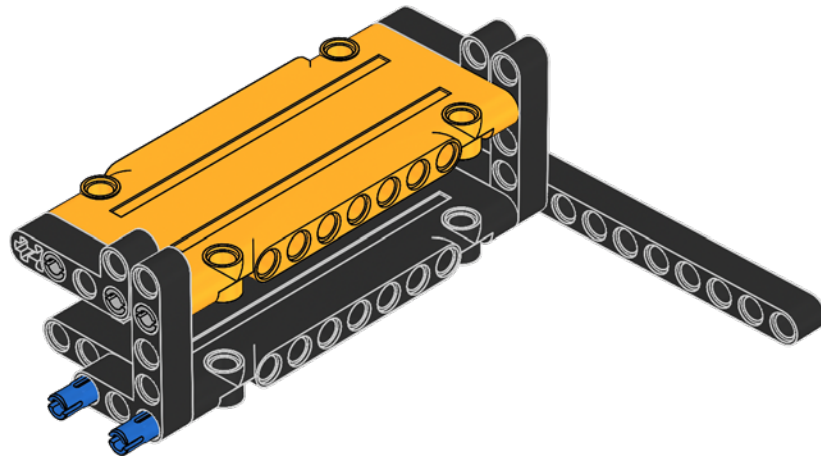


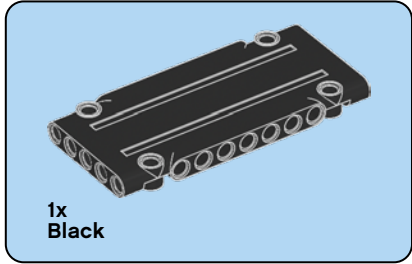
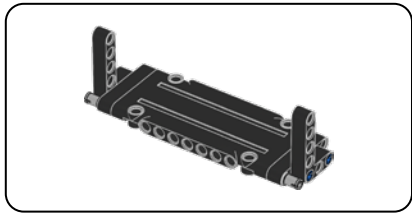
8



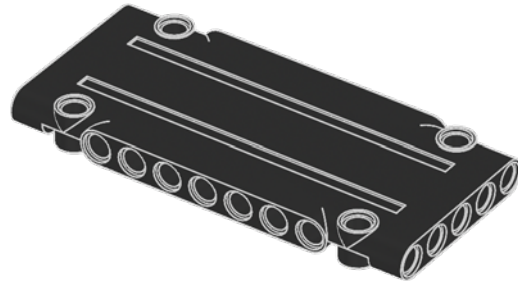


9



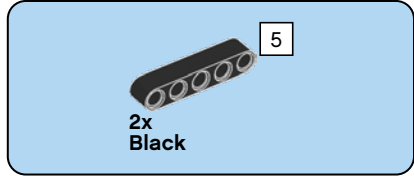
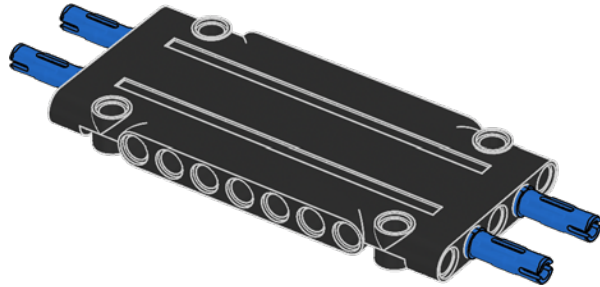


10

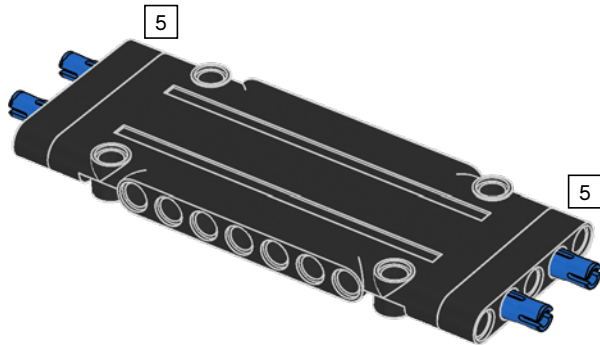




11



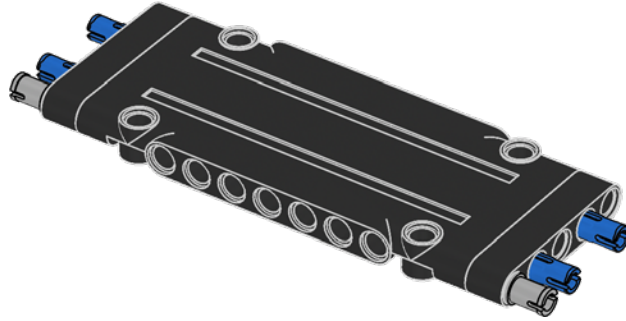
12





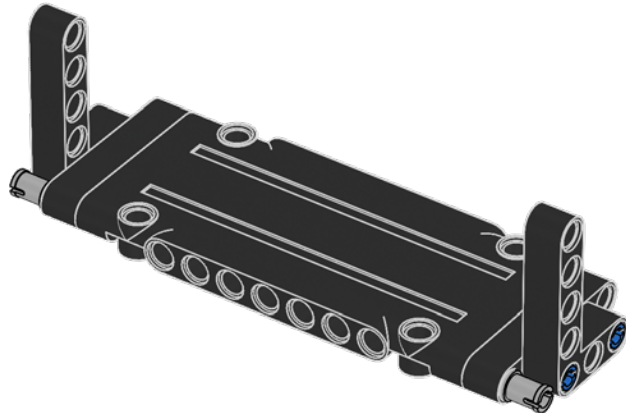
2x  
Grey

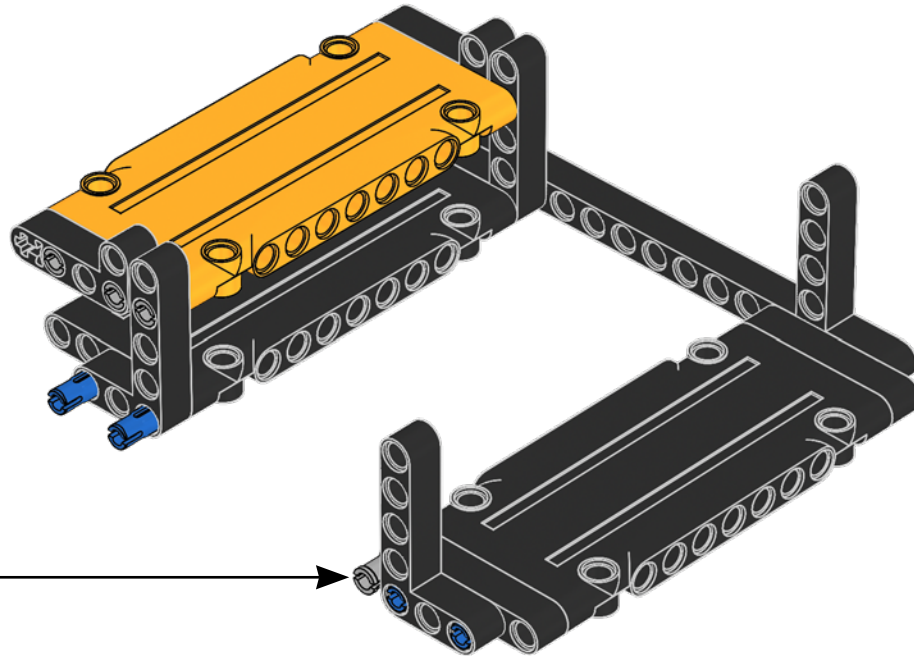
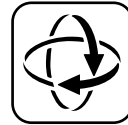
13

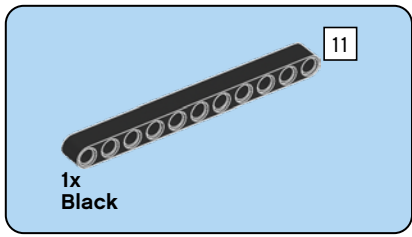


2x  
Black

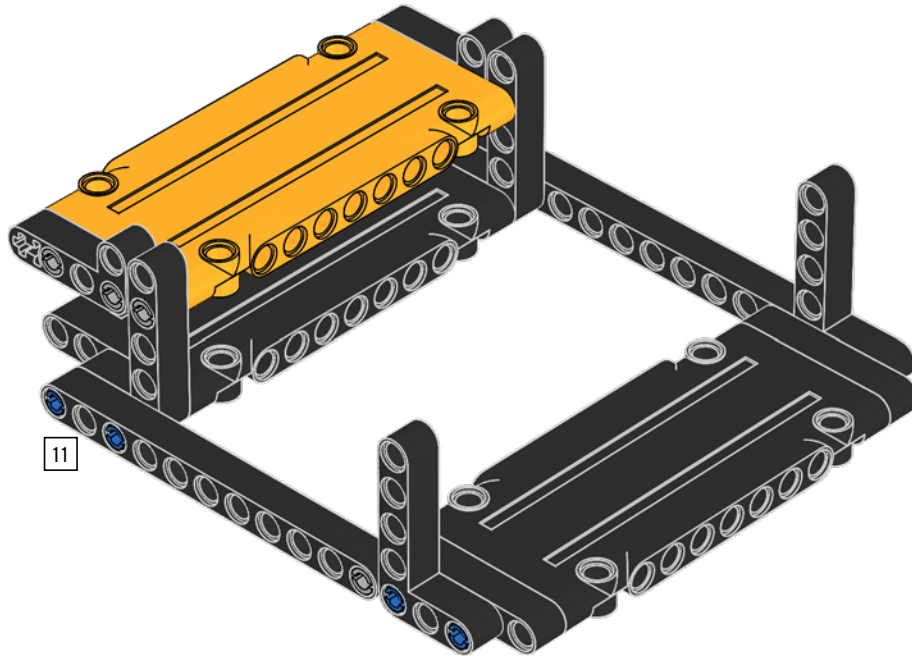
14

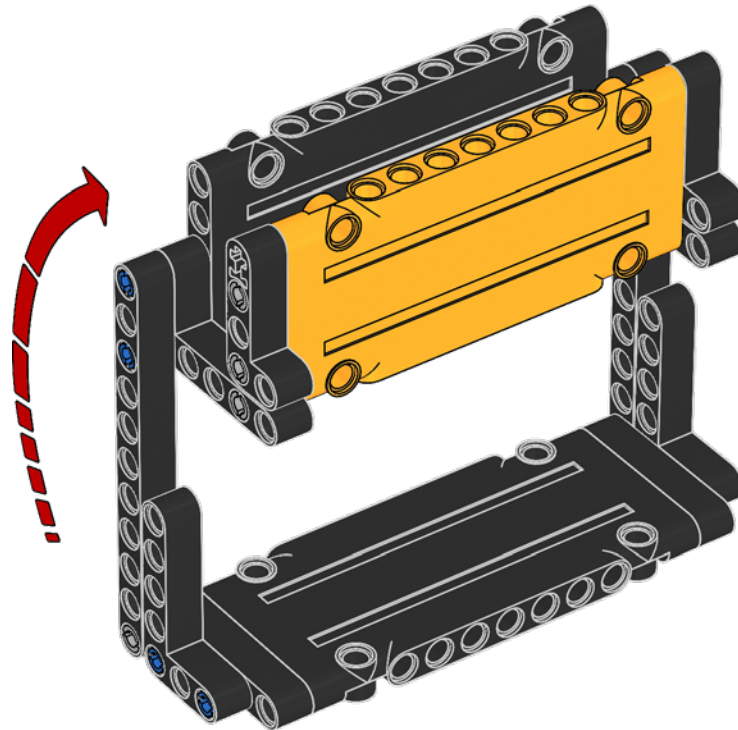






16





LEGO and the LEGO logo are trademarks of the/son des marques de commerce du/son marcas registradas de LEGO Group. ©2021 The LEGO Group. All rights reserved/Tous droits réservés/Todos los derechos reservados.

FIRST® is a registered trademark of For Inspiration and Recognition of Science and Technology (FIRST). LEGO® is a registered trademark of the LEGO Group. FIRST® LEGO® League and CARGO CONNECT™ are jointly held trademarks of FIRST and the LEGO Group.

©2021 FIRST and the LEGO Group. All rights reserved.