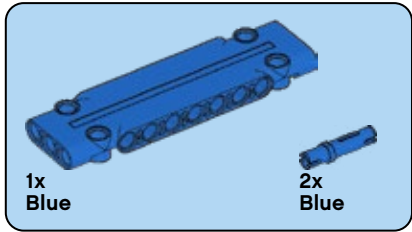
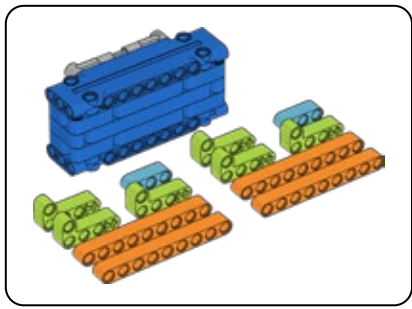
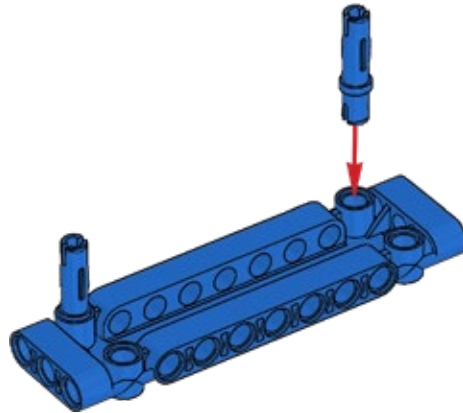


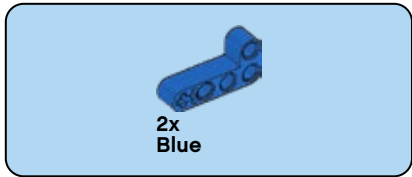
45816



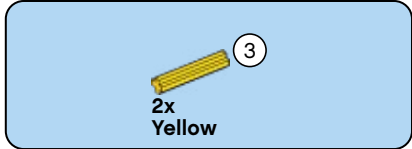
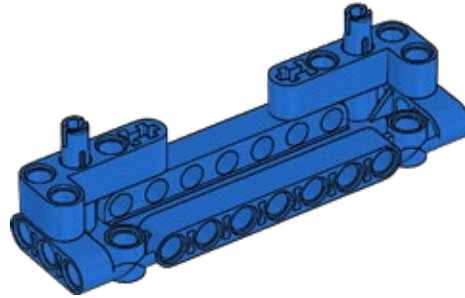


1

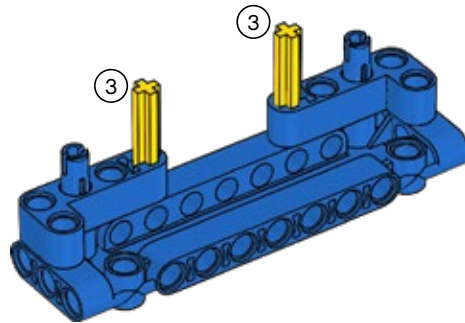


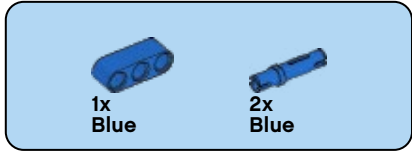
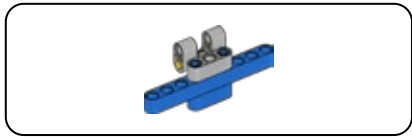


2

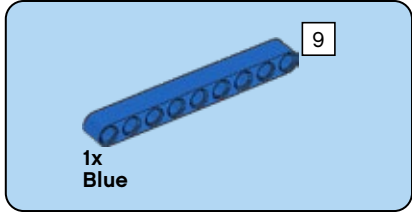
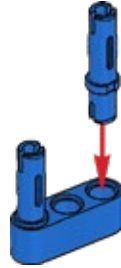


3

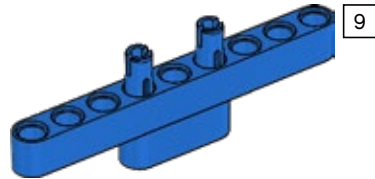




4

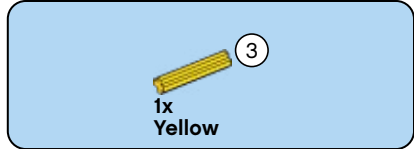
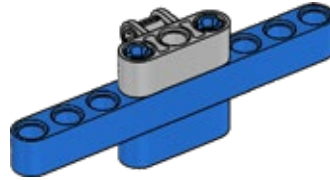


5

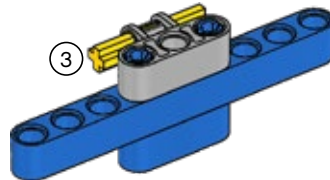




6

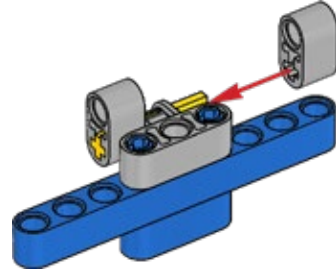


7

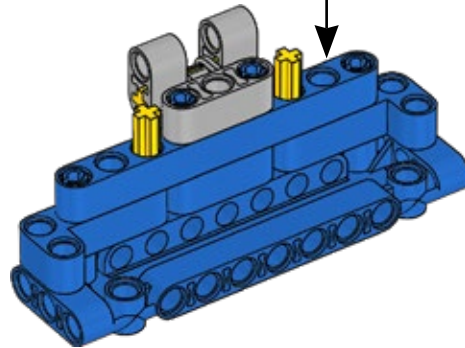


2x
Grey

8

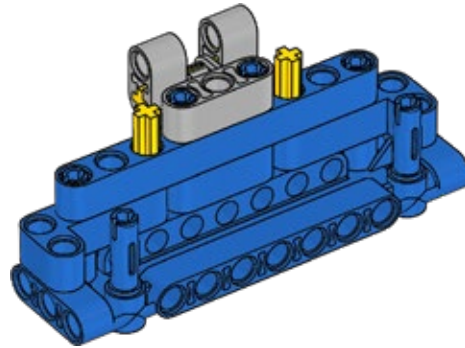


9

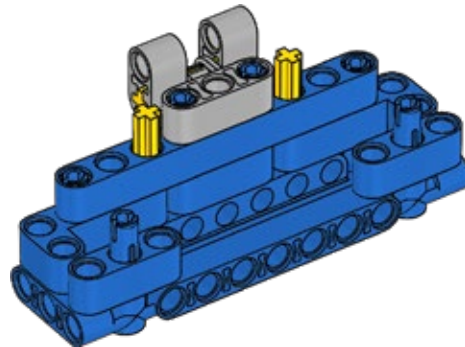




10

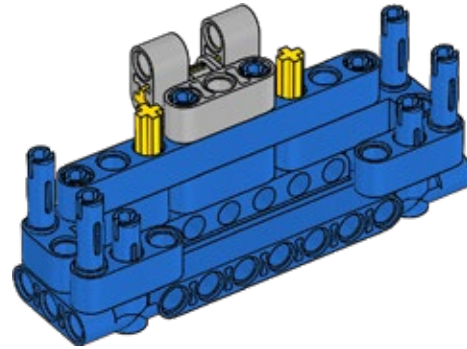


11

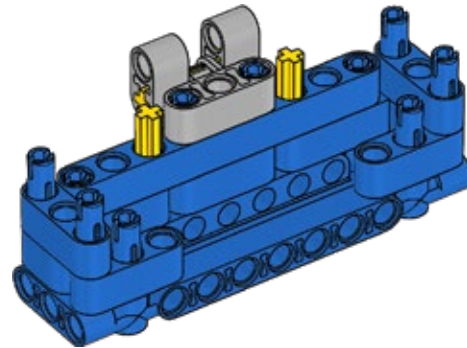


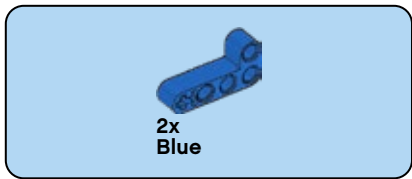


12

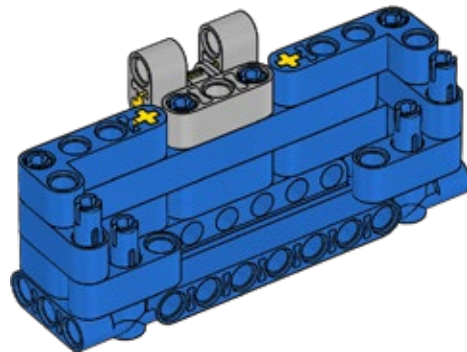


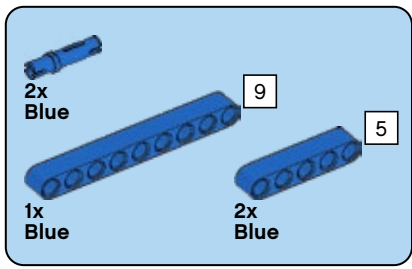
13



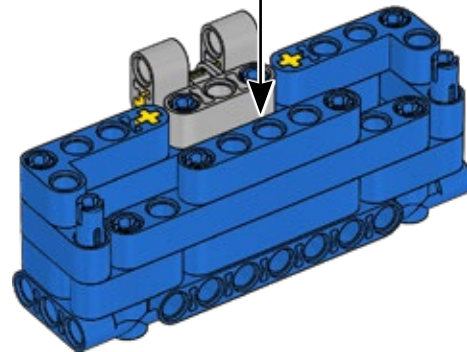
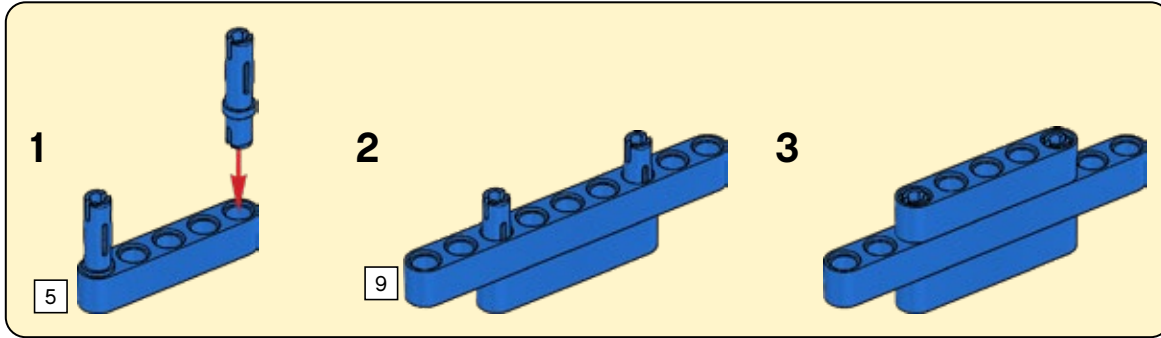


14



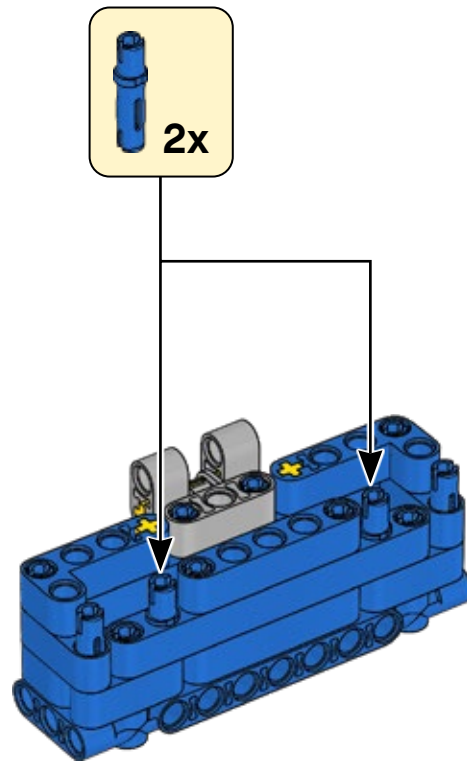


15



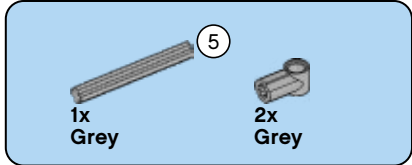
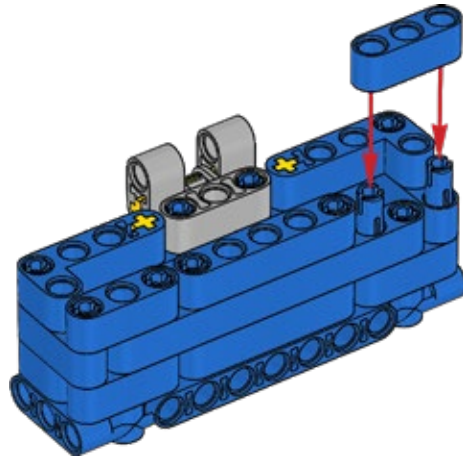


16

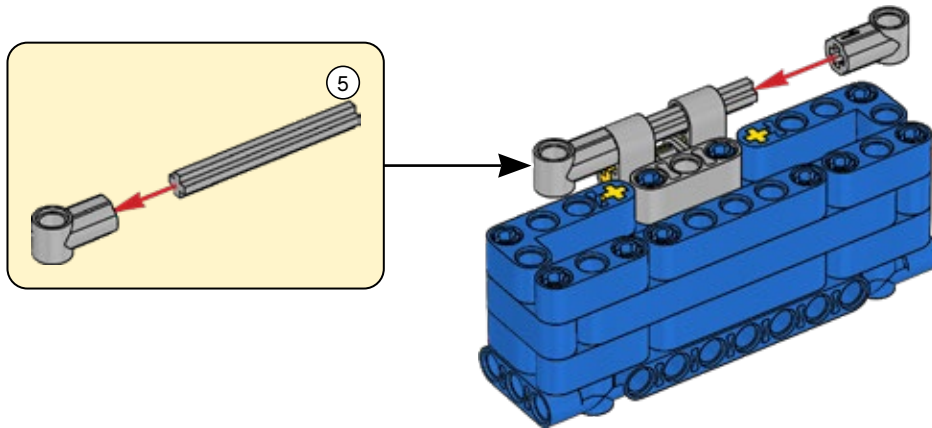




17

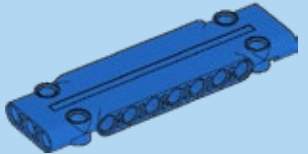
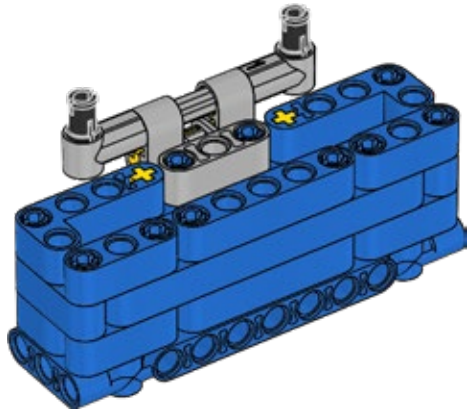


18



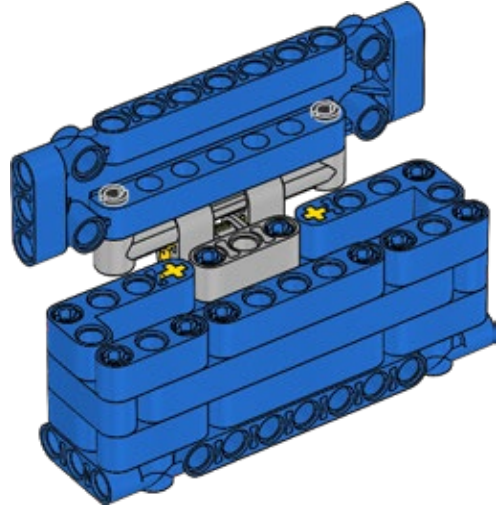
2x
Black

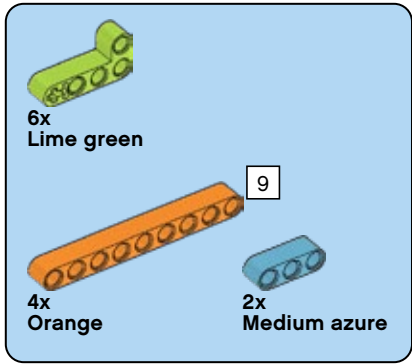
19



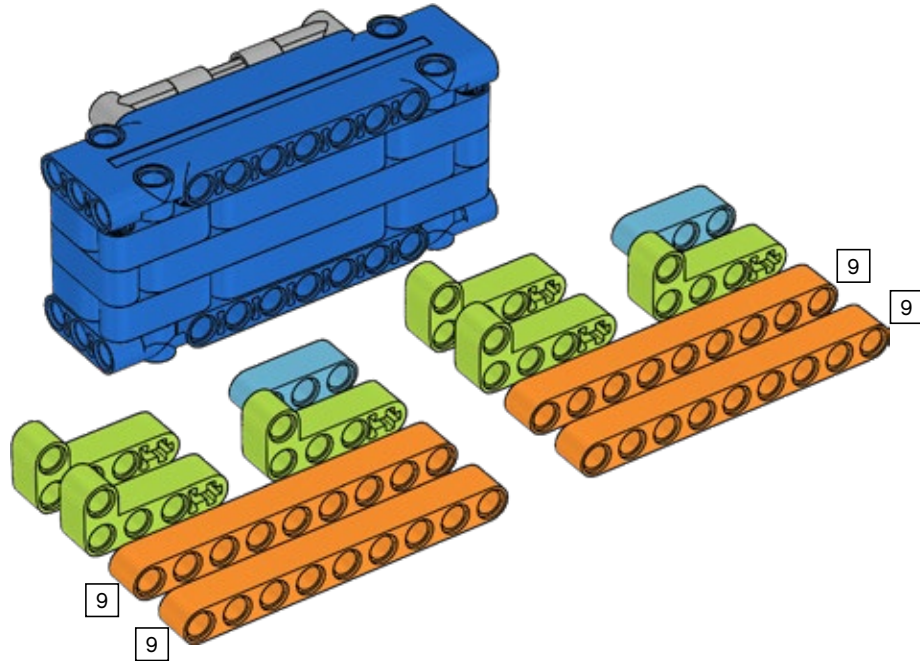
1x
Blue

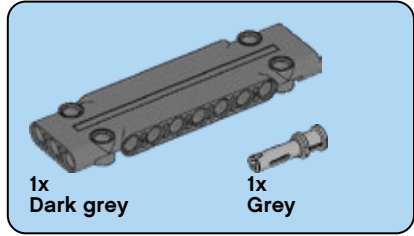
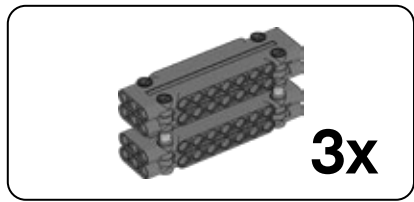
20



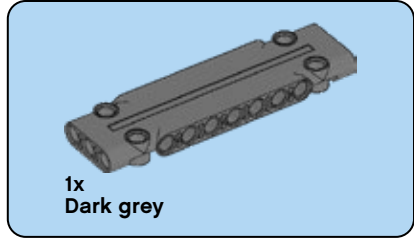
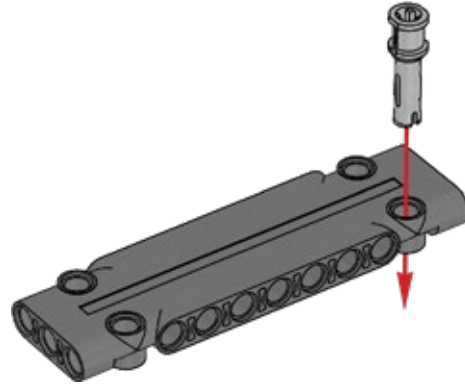


21

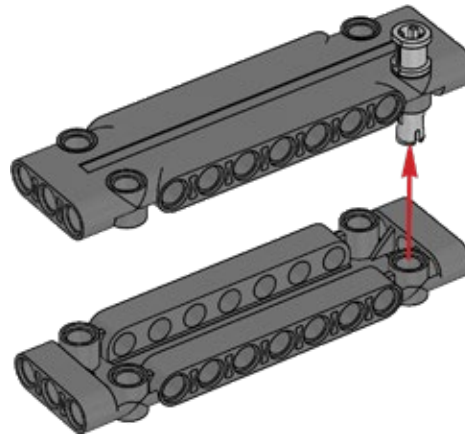


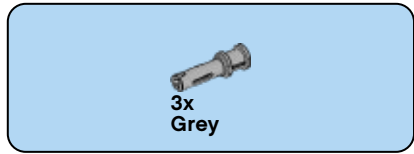


22

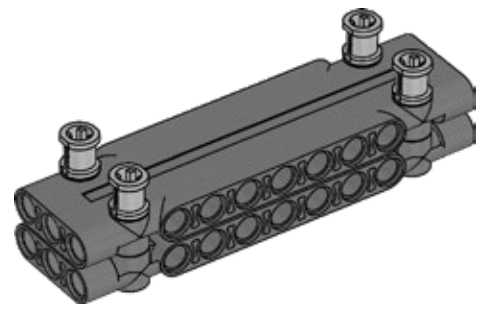


23

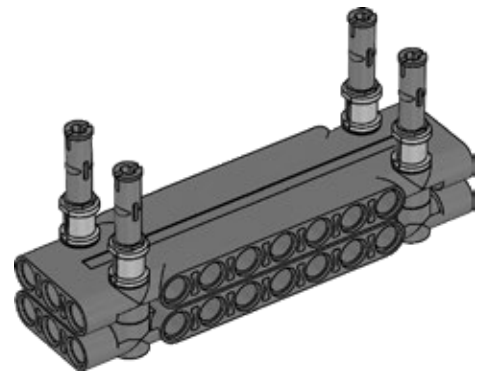


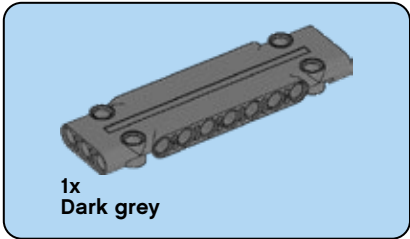


24



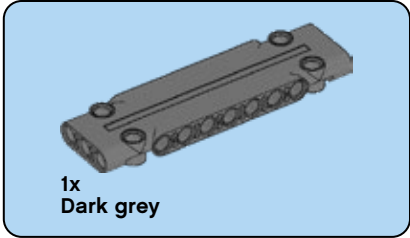
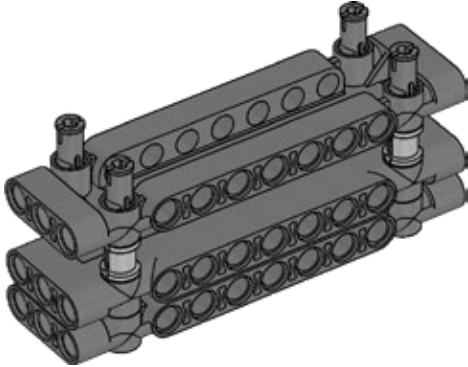
25





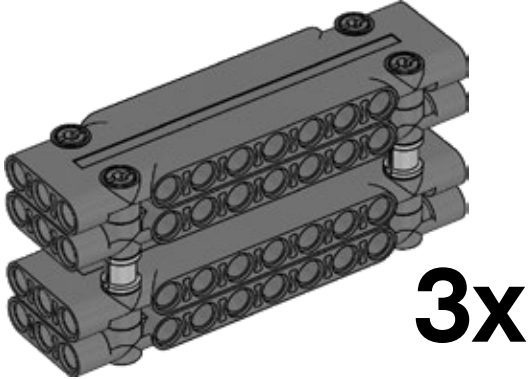
1x
Dark grey

26

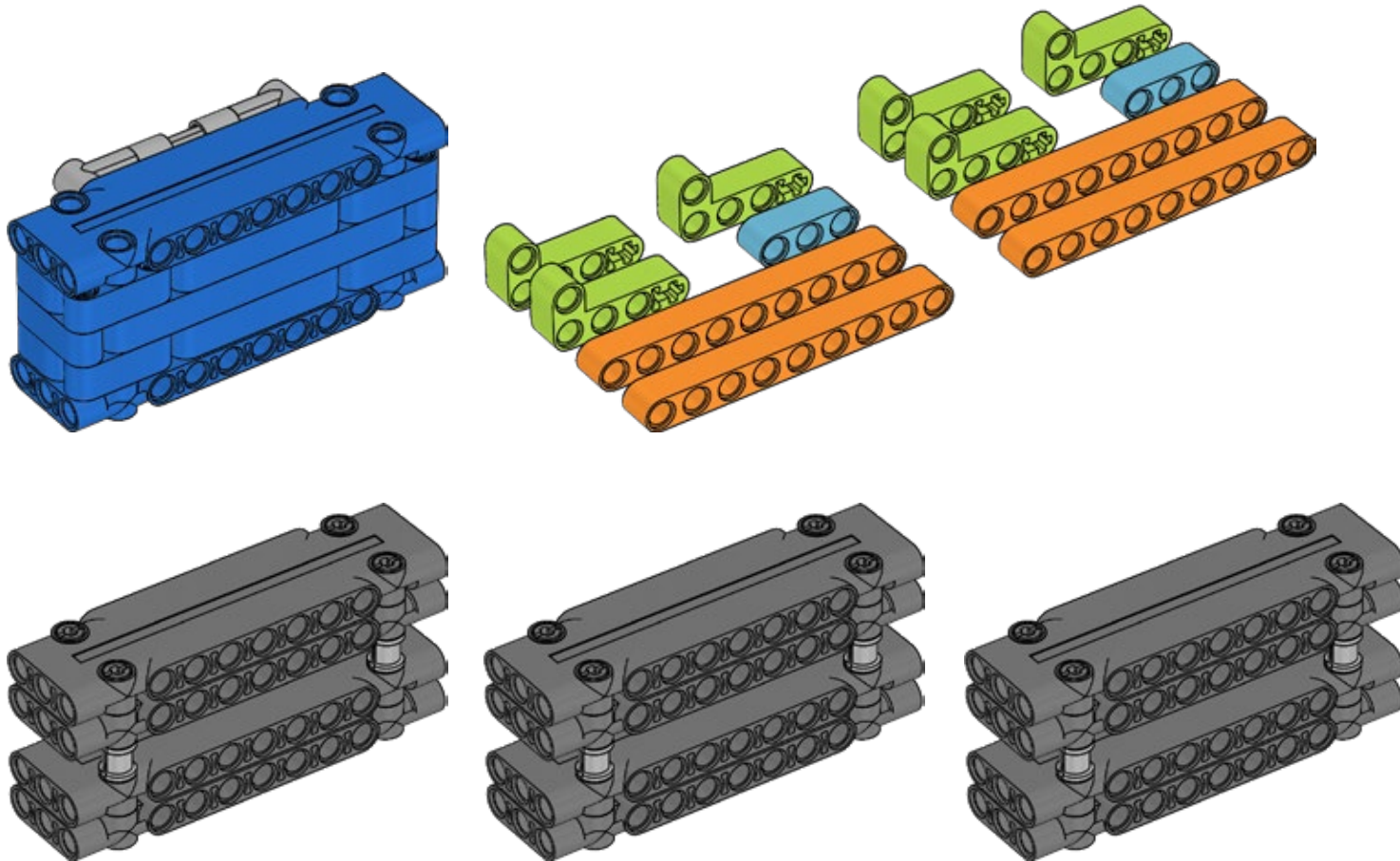


1x
Dark grey

27



3x



LEGO and the LEGO logo are trademarks of the/son des marques de commerce du/son marcas registradas de LEGO Group. ©2021 The LEGO Group. All rights reserved/Tous droits réservés/Todos los derechos reservados.

FIRST® is a registered trademark of For Inspiration and Recognition of Science and Technology (FIRST). LEGO® is a registered trademark of the LEGO Group. FIRST® LEGO® League and CARGO CONNECT™ are jointly held trademarks of FIRST and the LEGO Group.

©2021 FIRST and the LEGO Group. All rights reserved.